

L0LJ0201 Pempek OBP Industrial Digital Input Module 24VDC

The L0LJ0101 Pempek OBP Mining PLC Digital Input Module supports forty-eight (48) digital inputs (24-volt D.C.)

An industry-standard CAN (Controller Area Network) connection provides a host PLC with the ability to monitor all inputs and module status.

Uniquely Keyed Type A connectors to prevent incorrect machine installation

Embedded 110VAC Digital Input Module

48 x 24VDC Digital Inputs
Microprocessor Sampling Control

Connector 1

Pempek OBP A2 (24VDC Input + CAN Bus)

Connector 2

Pempek OBP A63 (Digital Inputs)

Outputs

None

Supply Input 1

24VDC (+/- 10%) / 3 Watts (Max)

Data Communications

Opto-Coupler Isolation
CAN 2.0B Compatible
Pempek OBP CAN (A2)

Operates -10 C to +70 C

All industrial components

Heavy Duty Enclosure

Electros Nickel Plated
Rugged Construction

Material

Enclosure is Electroless nickel plated mild steel.
Facia is stainless steel.
Mounting brackets are stainless steel.

Fasteners

M5 x 10mm x 4
M4 x 10mm x 8
M3 x 10mm x 10

Mass

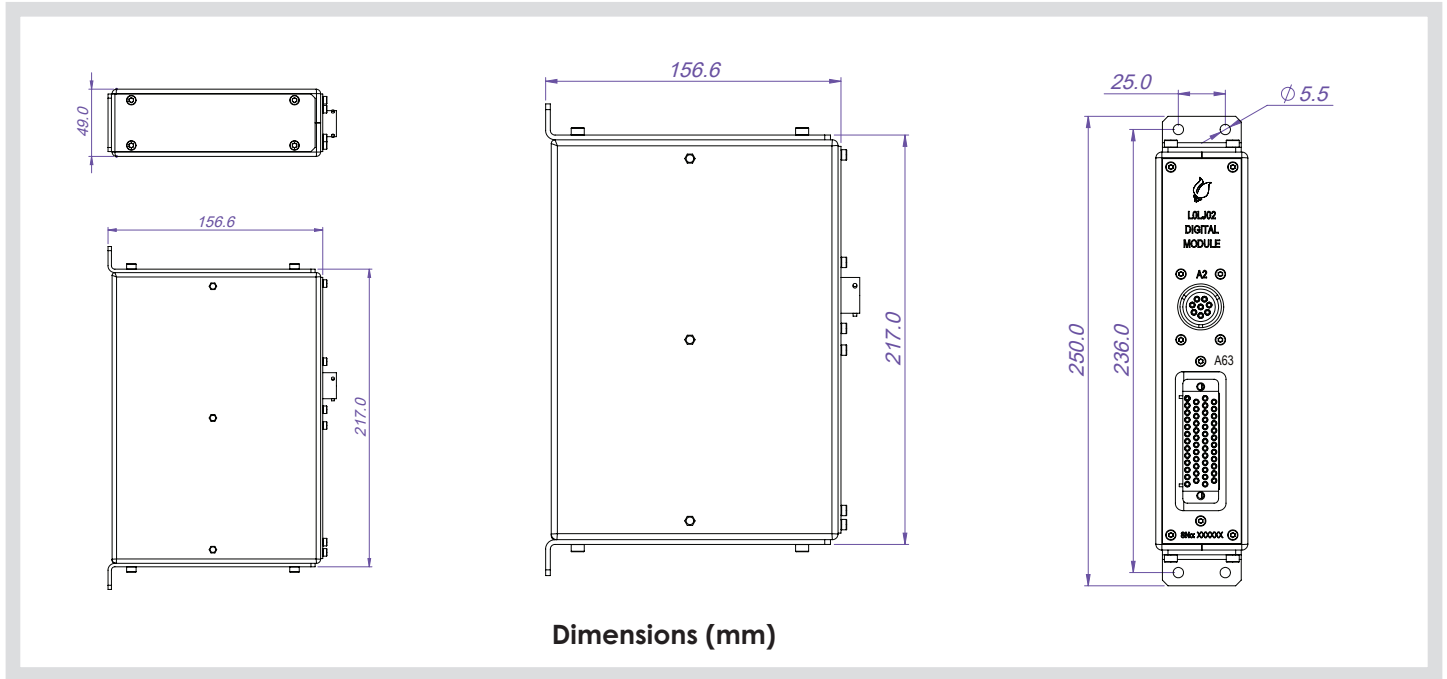
2.5kg (5.5lb)



Typical Application

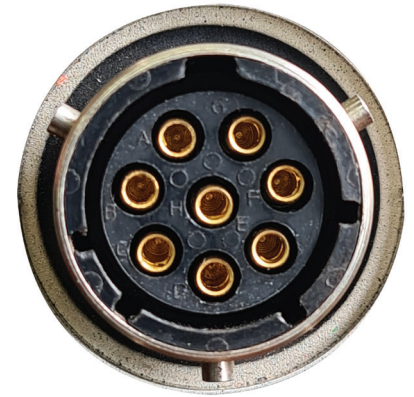
- Continuous Bolter/Miners
- Continuous Haulage
- Long Wall Shearers
- Mobile Bolters
- Mobile Roof Supports
- Remote Control Scoops
- Remote Control Loaders
- Any industrial power supply application

L0LJ0201 Pempek OBP Industrial Digital Input Module 24VDC



CONNECTOR A2

PIN	Connector A2 Burdny Female 8 Way	Signal
A2-A	Supply Input	24VDC Supply Input
A2-B	Supply Input	0VDC Supply Input
A2-C	CAN A (Positive)	Communications
A2-D	CAN A (Positive)	Communications
A2-E	CAN A (Negative)	Communications
A2-F	CAN A (Negative)	Communications
A2-G	Termination Link 1 - 1	Termination Link Input
A2-H	Termination Link 1 - 2	Termination Link Input



LOLJ0201 Pempek OBP Industrial Digital Input Module 24VDC

CONNECTOR A63

PIN	Connector A63 GAPL 50 Female 50 Way	Signal
A19-A	Digital Input 23	24VDC
A19-B	Digital Input 22	24VDC
A19-C	Digital Input 11	24VDC
A19-D	Digital Input 21	24VDC
A19-E	Digital Input 12	24VDC
A19-F	Digital Input 17	24VDC
A19-H	Digital Input 24	24VDC
A19-J	Digital Input 18	24VDC
A19-K	Digital Input 10	24VDC
A19-L	Digital Input 19	24VDC
A19-M	Digital Input 20	24VDC
A19-N	Digital Input 9	24VDC
A19-P	Digital Input 16	24VDC
A19-R	Digital Input 32	24VDC
A19-S	Digital Input 15	24VDC
A19-T	Digital Input 31	24VDC
A19-U	Digital Input 14	24VDC
A19-V	Digital Input 30	24VDC
A19-W	Digital Input 13	24VDC
A19-X	Digital Input 29	24VDC
A19-Y	Digital Input 1	24VDC
A19-Z	Digital Input 25	24VDC
A19-a	Digital Input 2	24VDC
A19-b	Digital Input 26	24VDC
A19-c	Digital Input 3	24VDC
A19-d	Digital Input 27	24VDC
A19-e	Digital Input 4	24VDC
A19-f	Digital Input 28	24VDC
A19-h	Digital Input 8	24VDC
A19-j	Digital Input 37	24VDC
A19-k	Digital Input 7	24VDC
A19-m	Digital Input 38	24VDC
A19-n	Digital Input 6	24VDC
A19-p	Digital Input 39	24VDC
A19-r	Digital Input 5	24VDC
A19-s	Digital Input 40	24VDC
A19-t	Digital Input 33	24VDC
A19-u	Digital Input 34	24VDC
A19-v	Digital Input 35	24VDC
A19-w	Digital Input 36	24VDC
A19-x	Digital Input 44	24VDC
A19-y	Digital Input 45	24VDC
A19-z	Digital Input 43	24VDC
A19-AA	Digital Input 47	24VDC
A19-BB	Digital Input 46	24VDC
A19-CC	Digital Input 48	24VDC
A19-DD	Digital Input 41	24VDC
A19-EE	Digital Input 42	24VDC
A19-FF	Reference Supply Input	0VDC
A19-HH	Reference Supply Input	0VDC

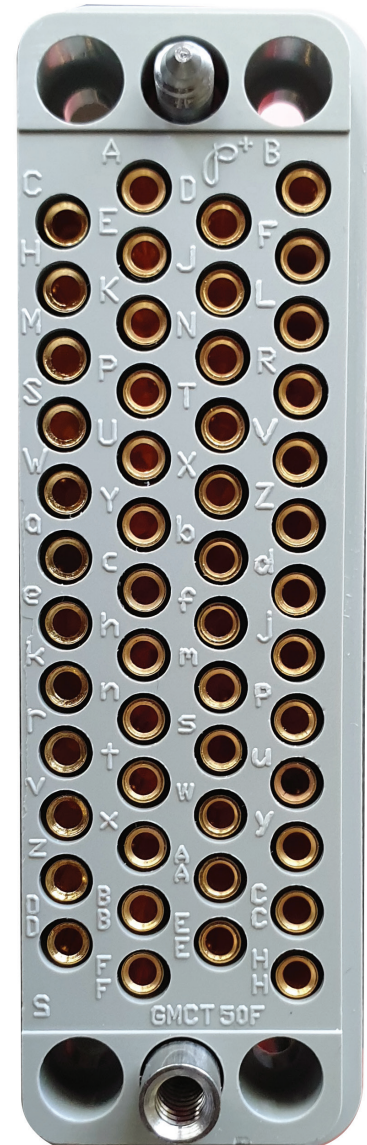


Image depict coding pins required

L0LJ0201 Pempek OBP Industrial Digital Input Module 24VDC

Connector Assembly

Part Number	Description
H0LJ0201	Connector Assembly A63

Connector Assembly Specifications

- **Product Type:** Pre-manufactured cable assembly
- **Construction:** Connector with flying leads (pigtail)
- **Connector 1 :** Pempek OBP A63 Male Plug (50-pin)
- **Connector 2:** Unterminated, flying leads
- **Conductors:** 50
- **Cable Length:** 2.2 metres
- **Pin Type:** Male (Gold-plated)
- **Conductor Type:** PVDF Tinned Stranded Wire
- **Insulation Rating:** 600 volts
- **Temperature Rating:** -65°C to 105 °C
- **Recommended Tools:** PVDF / Teflon Insulation Stripping Tool