

## L0Q40201 Pempek OBP Dual Inclinometer +/-45 Degree Module

The L0Q40201 Pempek OBP Mining PLC Dual-Inclinometer Module provides pitch and roll inclination measurement for mobile mining applications.

The industry-standard CAN (Controller Area Network) connection provides a host PLC with the ability to control and monitor all outputs.

2 x Mining- duty inclinometer sensor elements (+/-45-degrees range / pitch and roll).

**PLC Family:** Pempek OBP

**Module Type:** Inclinometer measurement module

**Supply Input 1:** 24VDC (+/- 10%) / 3 Watts (Max)

**Data Communications:** Pempek OBP CAN (A2)

**Operating Temperature:** -20°C to 70°C

**Inputs:** 2 x +/-45-degrees inclination measurement (Internally-sensed)

**Outputs:** None

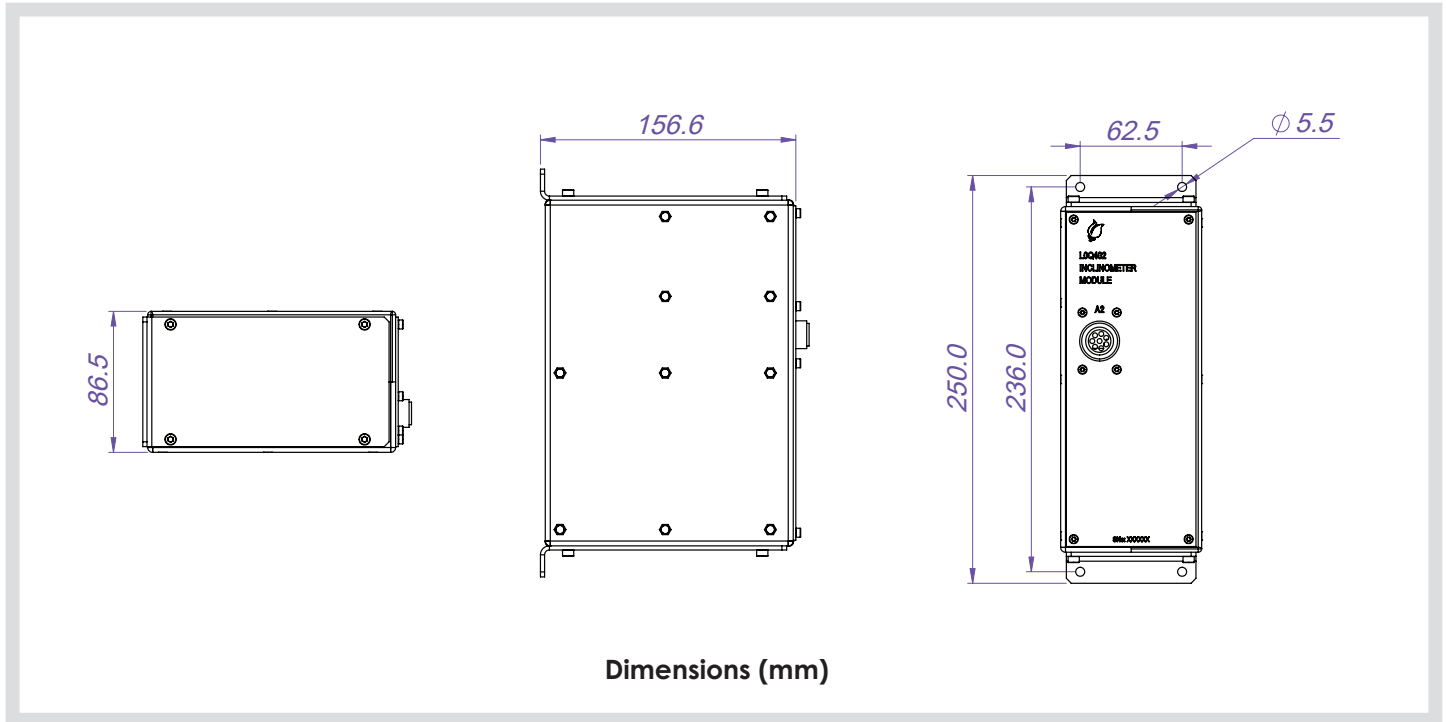
**Connector 1:** Pempek OBP A2 (24VDC Input + CAN Bus)



### Typical Applications

- Continuous Bolter/Miners
- Continuous Haulage
- Long Wall Shearers
- Mobile Bolters
- Mobile Roof Supports
- Remote Control Scoops
- Remote Control Loaders
- Any industrial switching application

**L0Q40201 Pempek OBP Dual Inclinometer +/-45 Degree Module**



**CONNECTOR A2**

PIN	Connector A2 Burdy Female 8 Way	Signal
A2-A	Supply Input	24VDC Supply Input
A2-B	Supply Input	0VDC Supply Input
A2-C	CAN A (Positive)	Communications
A2-D	CAN A (Positive)	Communications
A2-E	CAN A (Negative)	Communications
A2-F	CAN A (Negative)	Communications
A2-G	Termination Link 1 - 1	Termination Link Input
A2-H	Termination Link 1 - 2	Termination Link Input

