

LOR30201 Pempek OBP Mixed Inputs Module (110V/24V/4-20mA) Type B

The LOR30201 Pempek OBP Mining PLC Inputs Module features a collection of various input monitoring resources in a compact form factor that is well suited to mobile mining applications.

The industry-standard CAN (Controller Area Network) connection provides a host PLC with the ability to control and monitor all I/O resources.

The LOR30201 model features:

- Uniquely Keyed Type B connectors to prevent incorrect machine installation
- 12 x Digital Inputs (24 VDC)
- 8 x Digital Inputs (110 VAC)
- 24 x Analog Inputs (4 -20 mA)
- 4 x Frequency Counter Inputs (5 kHz Maximum')

Module Type: Multi-purpose Inputs Module

Supply Input 1: 24VDC (+/- 10%) / 3 Watts (Max) Data

Data Communications: Pempek OBP CAN (A2)

Operating Temperature: -20°C to 70°C

Inputs 1: 12 x Digital Inputs (24VDC)

Inputs 2: 8 x Digital Inputs (110VAC)

Inputs 3: 24 x Analog Inputs (4-20 mA)

Inputs 4: 4 x Frequency Counter Inputs (5 kHz Max)

Connector 1: Pempek OBP CAN (A2)

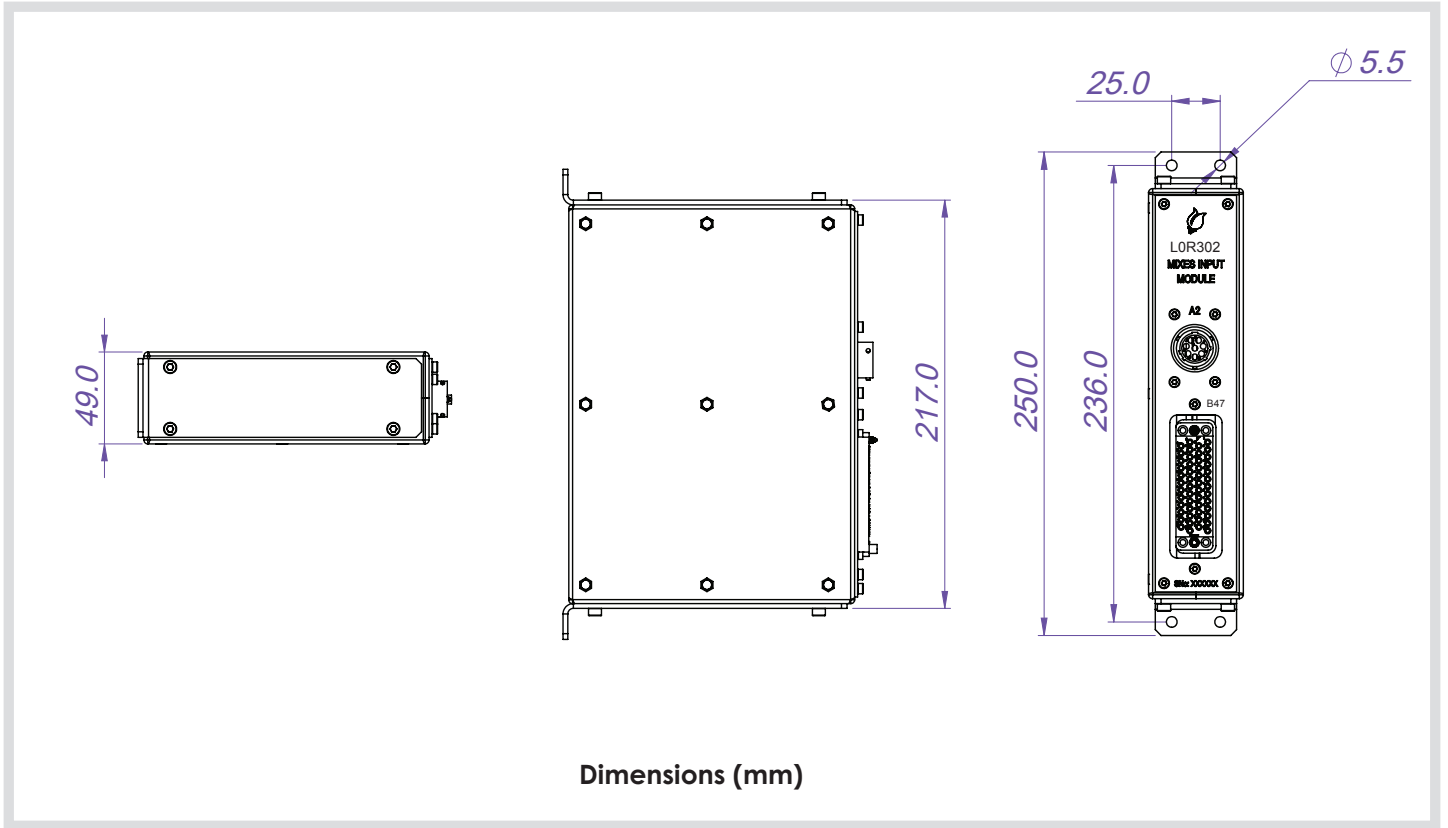
Connector 2: Pempek OBP B47 (Inputs)



Typical Applications

- Continuous Bolter/Miners
- Continuous Haulage
- Long Wall Shearers
- Mobile Bolters
- Mobile Roof Supports
- Remote Control Scoops
- Remote Control Loaders
- Any industrial switching application

LOR30201 Pempek OBP Mixed Inputs Module (110V/24V/4-20mA) Type B



CONNECTOR A2

PIN	Connector A2 Burdy Female 8 Way	Signal
A2-A	Supply Input	24VDC Supply Input
A2-B	Supply Input	0VDC Supply Input
A2-C	CAN A (Positive)	Communications
A2-D	CAN A (Positive)	Communications
A2-E	CAN A (Negative)	Communications
A2-F	CAN A (Negative)	Communications
A2-G	Termination Link 1 - 1	Termination Link Input
A2-H	Termination Link 1 - 2	Termination Link Input



LOR30201 Pempek OBP Mixed Inputs Module (110V/24V/4-20mA) Type B

CONNECTOR B47

PIN	Connector B47 Female Board Mount No.	Name
A	1	MODULE-SEL-1
B	2	24V Input Supply
C	3	0VDC
D	4	Quadrature Encoder A-Q1
E	5	MODULE-SEL-2
F	6	Quadrature Encoder A-Q2
H	7	0VDC
J	8	Quadrature Encoder B-Q1
K	9	MODULE-SEL-3
L	10	Quadrature Encoder B-Q2
M	11	24V-DINP-2
N	12	24V-DINP-1
P	13	24V-DINP-4
R	14	24V-DINP-3
S	15	24V-DINP-6
T	16	24V-DINP-5
U	17	24V-DINP-8
V	18	24V-DINP-7
W	19	24V-DINP-10
X	20	24V-DINP-9
Y	21	24V-DINP-12
Z	22	24V-DINP-11
a	23	ANALOG-2
b	24	ANALOG-1
c	25	ANALOG-4
d	26	ANALOG-3
e	27	ANALOG-6
f	28	ANALOG-5
h	29	ANALOG-8
j	30	ANALOG-7
k	31	ANALOG-10
m	32	ANALOG-9
n	33	ANALOG-12
p	34	ANALOG-11
r	35	ANALOG-14
s	36	ANALOG-13
t	37	ANALOG-16
u	38	ANALOG-15
v	39	ANALOG-18
w	40	ANALOG-17
x	41	NEUTRAL
y	42	EXTERNAL 24V PS(0.5A)
z	43	110VAC-DGI-2
AA	44	110VAC-DGI-1
BB	45	110VAC-DGI-4
CC	46	110VAC-DGI-3
DD	47	110VAC-DGI-6
EE	48	110VAC-DGI-5
FF	49	110VAC-DGI-8
HH	50	110VAC-DGI-7

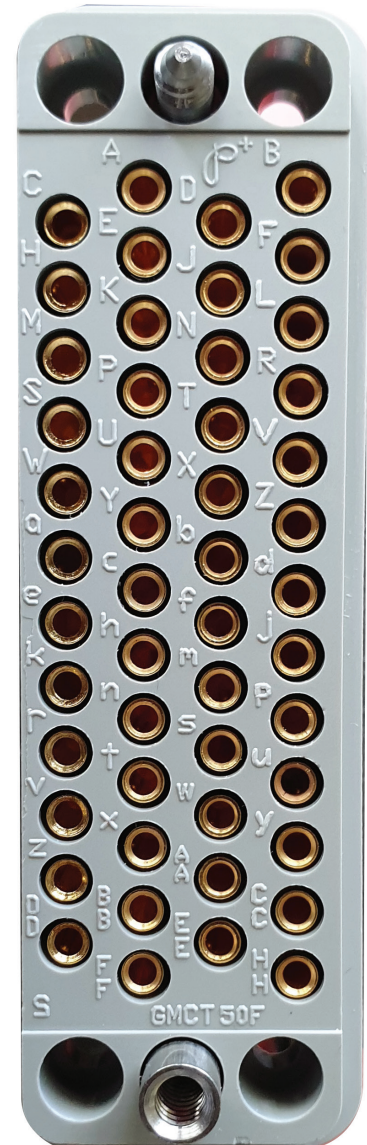


Image depict coding pins required

LOR30201 Pempek OBP Mixed Inputs Module (110V/24V/4-20mA) Type B

Connector Assembly

Part Number	Description
H0R30201	Connector Assembly B47

Connector Assembly Specifications

- **Product Type:** Pre-manufactured cable assembly
- **Construction:** Connector with flying leads (pigtail)
- **Connector 1 :** Pempek OBP B47 Female Plug (50-pin)
- **Connector 2:** Unterminated, flying leads
- **Conductors:** 50
- **Cable Length:** 2.2 metres
- **Pin Type:** Female (Gold-plated)
- **Conductor Type:** PVDF Tinned Stranded Wire