

## LOT00101 Pempek OBP Module Rexroth Solenoid Driver Module Type B

The LOT00101 Pempek OBP Mining PLC Solenoid Driver Module provides PWM-controlled proportional outputs in a compact, robust form factor that is well suited to mobile mining applications.

The industry-standard CAN (Controller Area Network) connection provides a host PLC with the ability to control and monitor all outputs.

Uniquely Keyed Type A connector to prevent incorrect machine installation

11 x PWM current-controlled 24VDC Proportional outputs (up to 1A continuous rating)



**Module Type:** Multi-channel Solenoid Driver

**Supply Input 1:** 24VDC (+/- 10%) / 3 Watts (Max)

**Supply Input 2:** 24VDC (+/- 10%) / 270 Watts (Max)  
(based on output loads)

**Data Communications:** Pempek OBP CAN (A2)

**Operating Temperature:** -20°C to 70°C

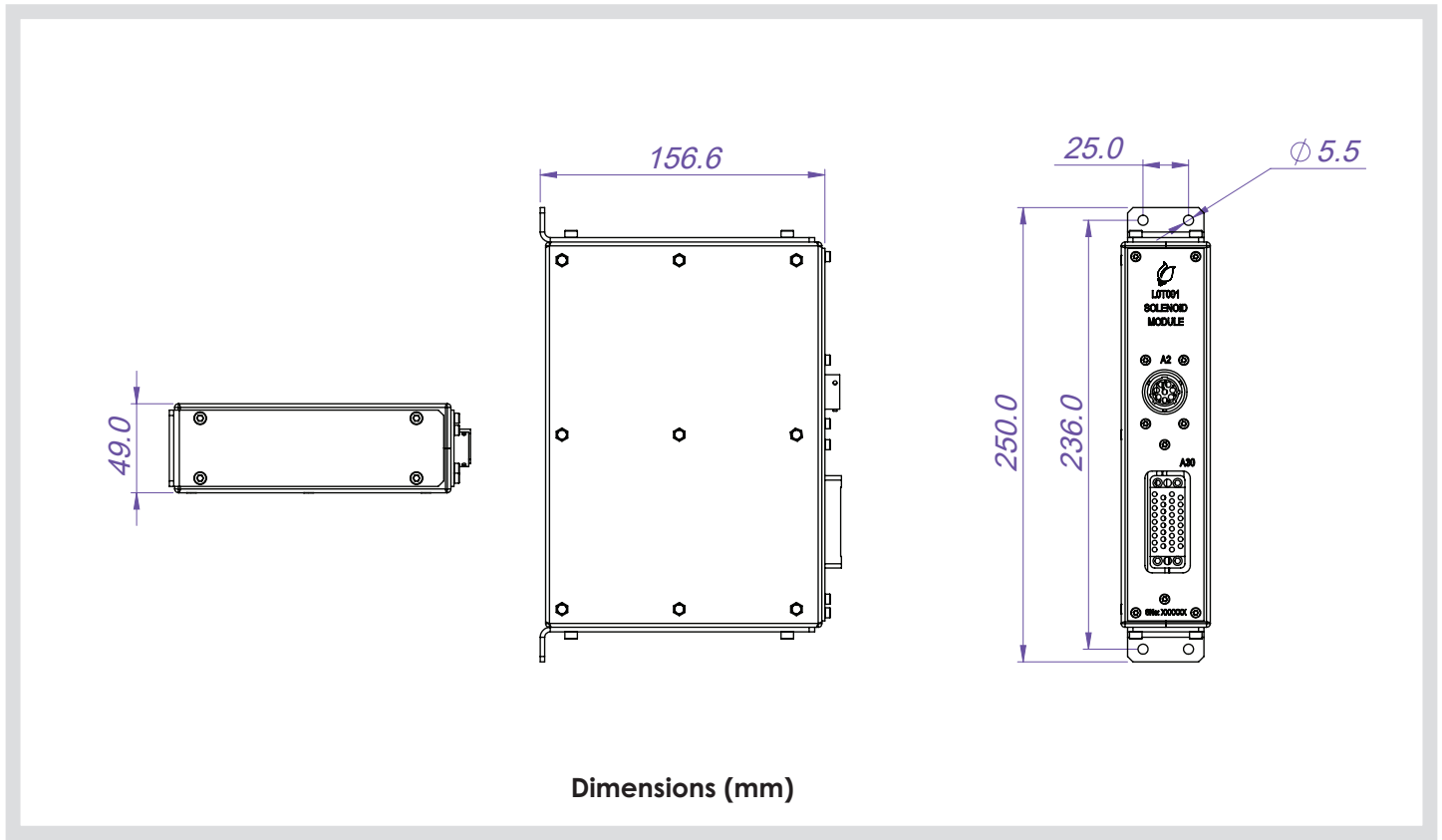
**Inputs:** None

**Outputs:** 11 x PWM Current-regulated Outputs  
(1 A Maximum)

**Connector 1:** Pempek OBP A2 (24VDC Input + CAN Bus)

**Connector 2:** Pempek OBP A30  
(PWM Outputs and 24VDC PWM Supply Input)

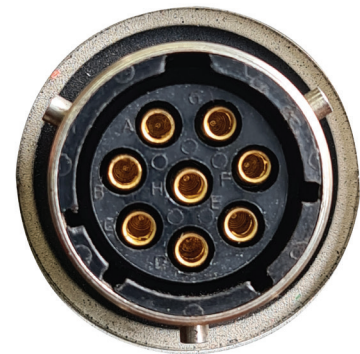
L0T00101 Pempek OBP Module Rexroth Solenoid Driver Module Type B



Dimensions (mm)

CONNECTOR A2

PIN	Connector A2 Burdy Female 8 Way	Signal
A2-A	Supply Input	24VDC Supply Input
A2-B	Supply Input	0VDC Supply Input
A2-C	CAN A (Positive)	Communications
A2-D	CAN A (Positive)	Communications
A2-E	CAN A (Negative)	Communications
A2-F	CAN A (Negative)	Communications
A2-G	Termination Link 1 - 1	Communications
A2-H	Termination Link 1 - 2	Communications



L0T00101 Pempek OBP Module Rexroth Solenoid Driver Module Type B

CONNECTOR A30

PIN	Connector A30 V35 Female No.	Name
A	1	SOL11+
B	2	SOL10+
C	3	SOL11-
D	4	SOL10-
E	5	CAN Address 2
F	6	SOL9+
H	7	CAN Address 1
J	8	SOL9-
K	9	CAN Address 0
L	10	SOL8+
M	11	RS232 Tx Out
N	12	SOL8-
P	13	RS232 Rx In
R	14	SOL7-
S	15	SCI BOOT (0VDC for Serial Boot Mode)
T	16	SOL7+
U	17	SOL1+
V	18	SOL6-
W	19	SOL1-
X	20	SOL6+
Y	21	SOL2+
Z	22	SOL5-
AA	23	SOL2-
BB	24	SOL5+
CC	25	SOL3+
DD	26	SOL4-
EE	27	SOL3-
FF	28	SOL4+
HH	29	24V SOLENOID SUPPLY
JJ	30	0V SOLENOID SUPPLY
KK	31	24 SOLENOID SUPPLY
LL	32	0V SOLENOID SUPPLY
MM	33	24V SOLENOID SUPPLY
NN	34	0V SOLENOID SUPPLY



Image depict coding pins required

Connector Assembly

Part Number	Description
HOPE0401	Connector Assembly A30

Connector Assembly Specifications

- **Product Type:** Pre-manufactured cable assembly
- **Construction:** Connector with flying leads (pigtail)
- **Connector 1:** Pempek OBP A30 Male Plug (34-pin)
- **Connector 2:** Unterminated, flying leads
- **Conductors:** 26
- **Cable Length:** 2.2 metres
- **Pin Type:** Female (Gold-plated)
- **Conductor Type:** PVDF Tinned Stranded Wire
- **Insulation Rating:** 600 volts
- **Temperature Rating:** -65°C to 105°C
- **Recommended Tools:** PVDF / Teflon Insulation Stripping Tool