

L0UA1101 Pempek OBP-PLUS Colour Display Module IEC Ex d Flameproof 6-buttons 24VDC

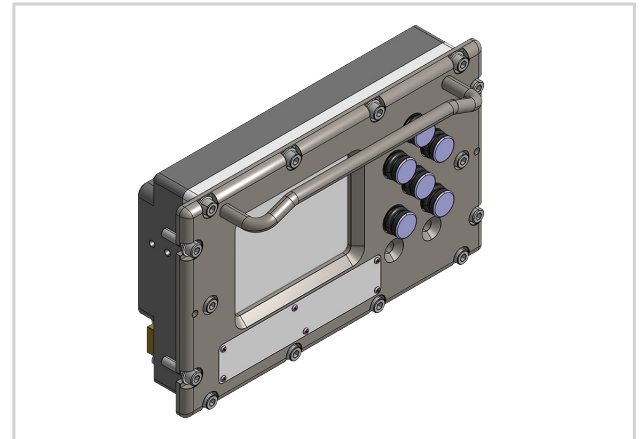
The L0UA01101 IEC Ex d Flameproof Display Module is an industrialised colour display module designed for the rigors of underground mobile mining machinery.

Designed to exacting requirements of IEC 60079.1, this display is designed for world-wide explosive atmosphere regulatory approval allowing it to be installed into any underground environment after certification assessment.

Driven by a low-power 806MHz Marvel CPU complete with 1GB of on-board flash and 8GB of removable flash, the Type L0UA Display is an extremely flexible product that can be customized to suit any remote application.

Fundamental to its design are localised navigation buttons which allow the operator to adjust the view on-demand without having to utilise secondary remote equipment. This can prove invaluable when commissioning a new installation or fault finding an existing one.

Supply voltage and input signals are connected to the enclosure through Ex d certified cable gland.



Visuals

A glorious 6.4-inch, 640 x 480 full colour industrial LCD panel, rated to -20°C + 80°C, making it suitable for the most extreme environments.

Communication

A veritable powerhouse of digital interfaces including 10/100 Ethernet with TCP/IP & UDP support, full Speed CAN 2.0B with CANOpen support and proprietary RS-422.

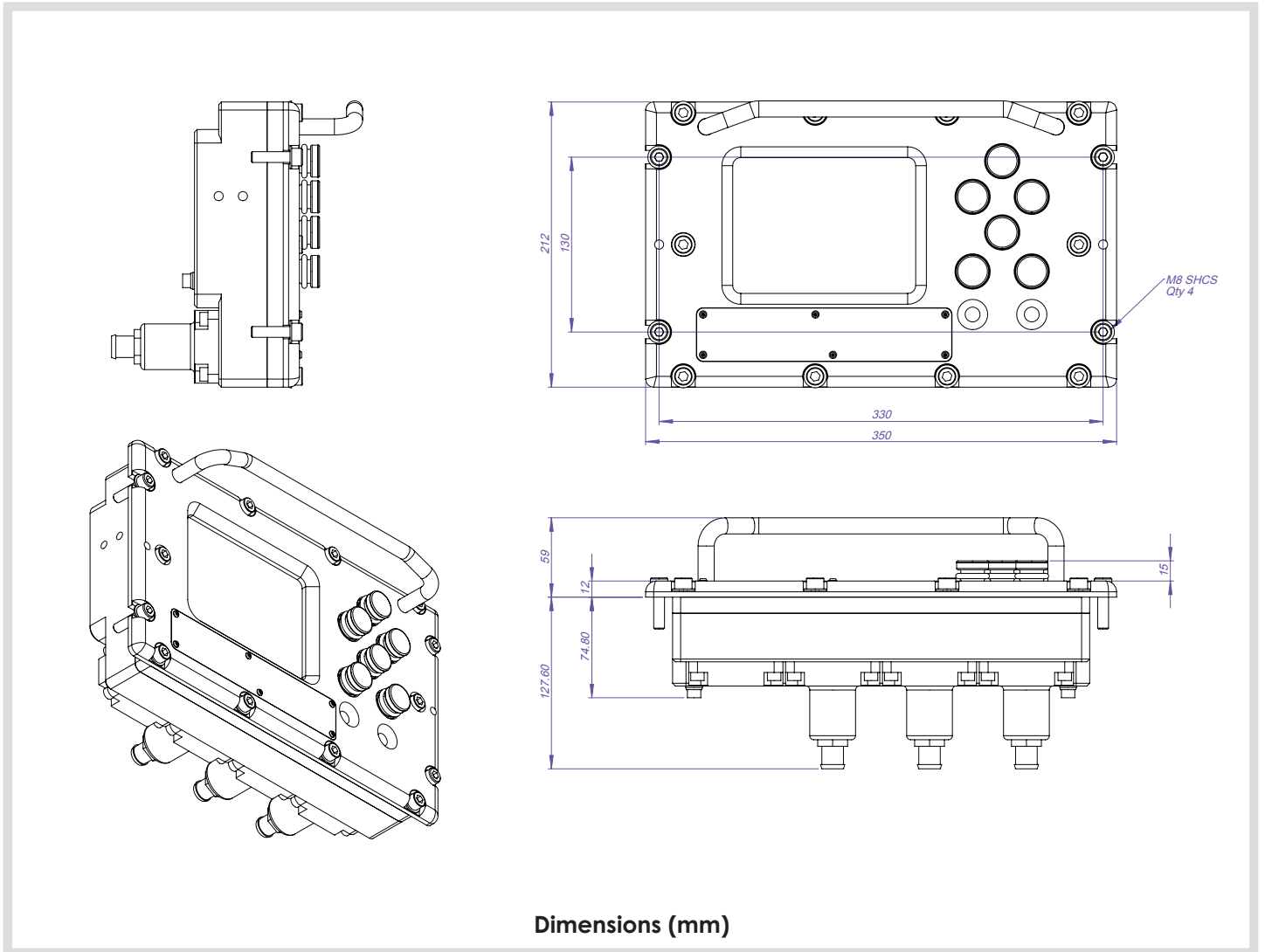
Power

Ultra-wide range 8VDC 30VDC supply input capable of supporting unfiltered alternator supplies often found on underground diesel vehicles.

Typical Application

- Continuous Miners
- Continuous Haulage
- Long Wall Shearers
- Mobile Bolters
- Mobile Roof Supports
- Remote Control Scoops
- Remote Control Loaders
- Control room surface monitoring

L0UA1101 Pempek OBP-PLUS Colour Display Module IEC Ex d Flameproof 6-buttons 24VDC



L0UA1101 Pempek OBP-PLUS Colour Display Module IEC Ex d Flameproof 6-buttons 24VDC

Electrical Characteristics

Power	
Voltage	6VDC 30VDC
Wattage	< 25W
Supply	400mA @ 24VDC

Interface	
Ethernet	Full 10/100 with TCP/IP & UDP
CAN	CAN 2.0B with CANOpen
RS-422	Proprietary 115.2kbs
LCD	VGA 640 x 480 262K Colours

Processor	
CPU	806MHz Marvell
Storage	1GB Onboard + 8GB Removable
Memory	128MB

Mechanical	
Material	Mild-Steel with Lexan MR5 Lense
Width	350mm
Height	212mm
Depth	60mm + 50mm Handle
Mass	20.5KG

Environmental	
Temperature	-20°C + 40°C
Ingress Protection	IP65 / 66

The maximum power dissipation shall not exceed 25W.

Maximum voltage and current shall not be able to dissipate more than maximum allowable dissipation of 25W.

Higher current dissipation is only allowed if the power dissipation source is installed in the enclosure as such that the temperature of the polycarbonate lens will not exceed 80°C and the temperature of the enclosure 150°C for group I and 85°C for group IIB at any possible installation position.