

LOZU2101 Pempek OBP 2 Processor Module with Fibre-optic CAN Bus

The LOZU2101 is a “drop-in replacement” upgrade for traditional Obelix processor modules already operating in a machine. A dual processor architecture supports Pempek OBP 2 features – whilst retaining the reliable machine automation of the original Obelix machine software. The second processor is dedicated to remote access, telemetry and configuration management (Edison Tool Box PC software required).

The LOZU2101 is an Pempek OBP 2 Mining PLC Processor module ideal for legacy mobile mining machinery control and automation applications that are programmed and maintained by Pempek automation software developers.

A fully AS4871-compliant internal battery preserves parameter memory and real-time clock functionality when mains machine power is removed.

In addition to sixteen (16) local digital inputs (24VDC); the module provides a number of field bus options - including CAN (4), Ethernet (2) and RS-422 (3).



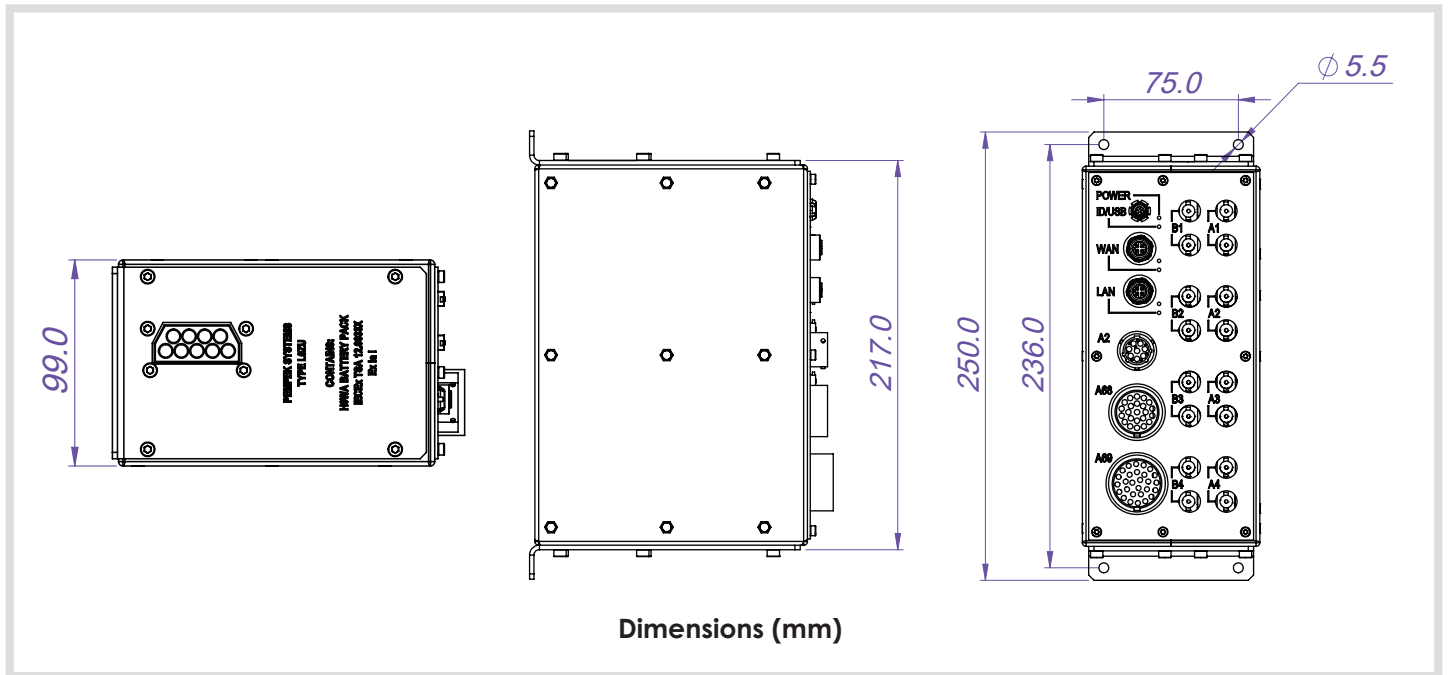
- **Type:** Programmable, dual-processor machine automation processor module
- **Local I/O :** 16 x Digital Inputs (24 VDC)
- **Memory Battery:** AS4871-compliant
- **Field Buses:** 3 x CAN (copper) / 1 x CAN (fibre) with 8 ports / 2 x Ethernet / 3 x RS-422

CONNECTOR A2

PIN	Connector A2 Burndy Female 8 Way	Signal
A2-A	Supply Input	24VDC Supply Input
A2-B	Supply Input	0VDC Supply Input
A2-C	CAN A (Positive)	Communications
A2-D	CAN A (Positive)	Communications
A2-E	CAN A (Negative)	Communications
A2-F	CAN A (Negative)	Communications
A2-G	Termination Link 1 - 1	Termination Link Input
A2-H	Termination Link 1 - 2	Termination Link Input



LOZU2101 Pempek OBP 2 Processor Module with Fibre-optic CAN Bus



CONNECTOR A68

No.	Connector A68 23 (32) Burndy Female PIN	Name
1	A	CANH1
2	B	CANL1
3	C	CANH2
4	D	CANL2
5	E	CANH3
6	F	CANL3
7	G	0VDC
8	H	RXA-
9	J	RXA+
10	K	TXA-
11	L	TXA+
12	M	RXB- /CTS B
13	N	RXB+ /RXB
14	P	TXB- / TXB
15	R	TXB+ /RTSB
16	S	0VDC
17	T	RXC-
18	U	RXC+
19	V	TXC-
20	W	TXC+
21	X	RXD
22	Y	TXD
23	Z	0VDC



LOZU2101 Pempek OBP 2 Processor Module with Fibre-optic CAN Bus

CONNECTOR A69

No.	Connector A69 28 (41) Burndy Female PIN	Name
1	A	DGI-1
2	B	DGI-2
3	C	DGI-3
4	D	DGI-4
5	E	DGI-5
6	F	DGI-6
7	G	DGI-7
8	H	DGI-8
9	J	DGI-9
10	K	DGI-10
11	L	DGI-11
12	M	DGI-12
13	N	DGI-13
14	P	DGI-14
15	R	DGI-15
16	S	DGI-16
17	T	0VDC
18	U	CAN 1-L1
19	V	CAN 1-L2
24	a	CAN 2-L1
25	b	CAN 2-L2
26	c	RELAY IN
27	d	RELAY NC
28	e	RELAY NO



Fibre Optic Patch ST -ST Multi-mode

Part Number	Description
HOLW0401	Fibre Optic Patch ST-ST Multi-mode

Specifications

- **Product Type:** Pre-manufactured cable assembly
- **Construction:** Fibre-optic with ST terminations
- **Connector 1 :** Fibre ST Connector (2 connectors)
- **Connector 2:** Fibre ST Connector (2 connectors)
- **Conductors:** 2
- **Cable Length:** 0.8 metres
- **Pin Type:** ST Fibre Plugs
- **Conductor Type:** Multi-mode Fibre-optic
- **Insulation Rating:** N/A
- **Temperature Rating:** -40 to 85 C