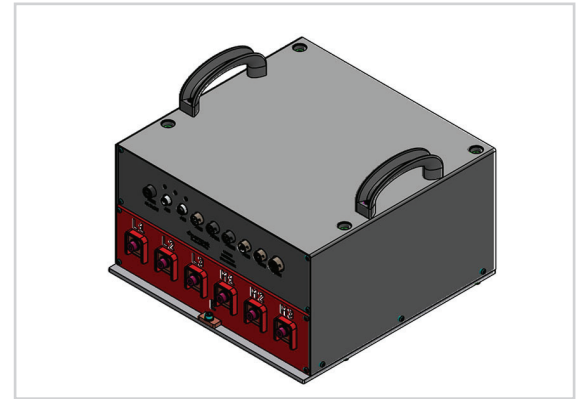


L11W0101 AC Variable Frequency Drive 600V 150kW - 24V Control PS - 110/220V Relay - 5V Encoder

Pempek's AC Variable Frequency Drive for high-performance control of 660V induction motor in demanding industrial applications.

Each single drive module contains a rectifier, DC link and an inverter in one single AC drive control unit.

- Four quadrant operation with full regeneration
- Integrated pre-charging unit
- Integrated safety relay
- Isolated CAN interface with CANOpen protocol
- Two CAN connectors to enable daisy-chaining of bus.
- Method for externally setting the CAN Sub ID for the module
- Motor temperature monitoring
- Sophisticated direct torque control
- Sensorless vector speed control
- Maximum torque at zero speed
- Two-times of overload capability
- Water cooling
- 24V control power



Typical Application

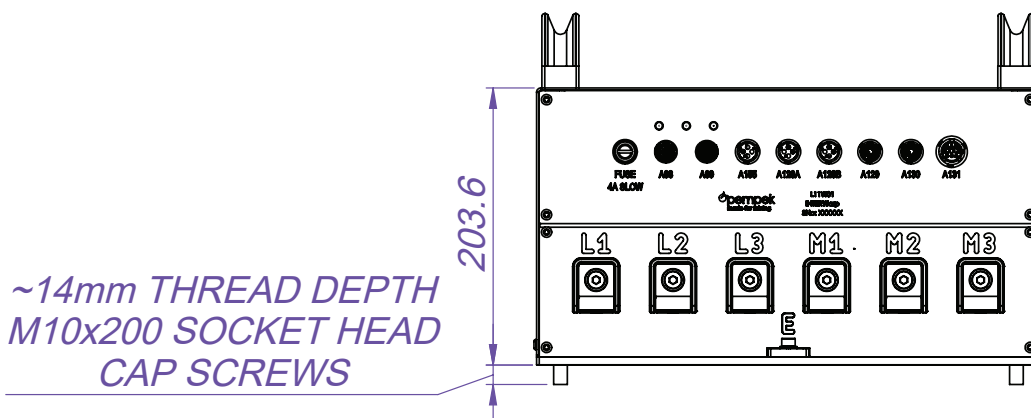
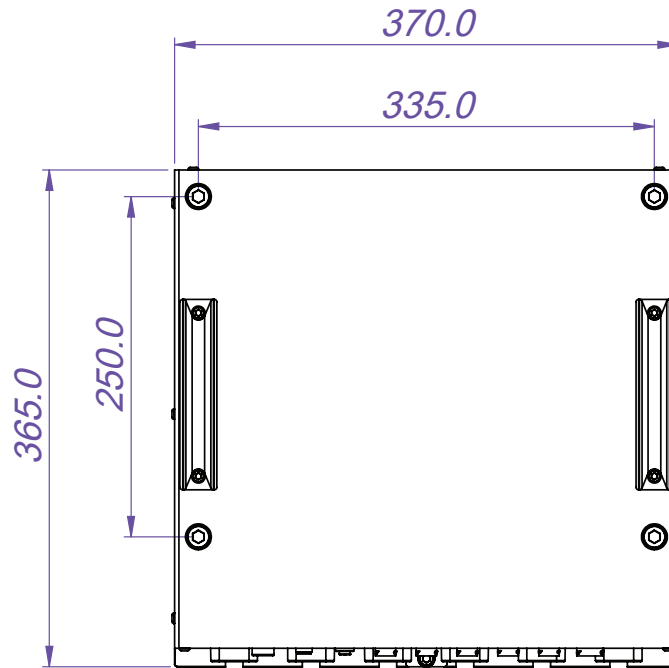
- Continuous Bolter/Miners
- Longwall Shear
- Shuttle Car
- Continuous Haulage
- Mobile Bolters
- Mobile Roof Supports
- Remote Control Scoops
- Remote Control Loaders
- Any industrial AC Motor application within power specification

Specification Chart

| Pempek VFD | VFD rated voltage | Max current | Suitable motor Max power @1140V | Suitable motor Max power @960V | Suitable motor Max power @860V | Suitable motor Max power @660V | Suitable motor Max power @460V | Suitable motor Max power @380V | Dimension |
|------------|-------------------|-------------|---------------------------------|--------------------------------|--------------------------------|--------------------------------|--------------------------------|--------------------------------|-------------|
| LOW4 | 1140V | 200A | 150KW | 133KW | 119KW | 91KW | 64KW | 52KW | 462x372x200 |
| LOTJ | 1140V | 300A | 230KW | 200KW | 178KW | 178KW | 137KW | 79KW | 610x370x213 |
| LOUP | 480V | 500A | NA | NA | NA | 228KW | 159KW | 130KW | 700x325x168 |
| L11W | 660V | 500A | NA | NA | NA | 228KW | 159KW | 130KW | 430x350x201 |
| L124 | 1140V | 400A | 150KW | 133KW | 119KW | 91KW | 64KW | 52KW | 733x350x200 |

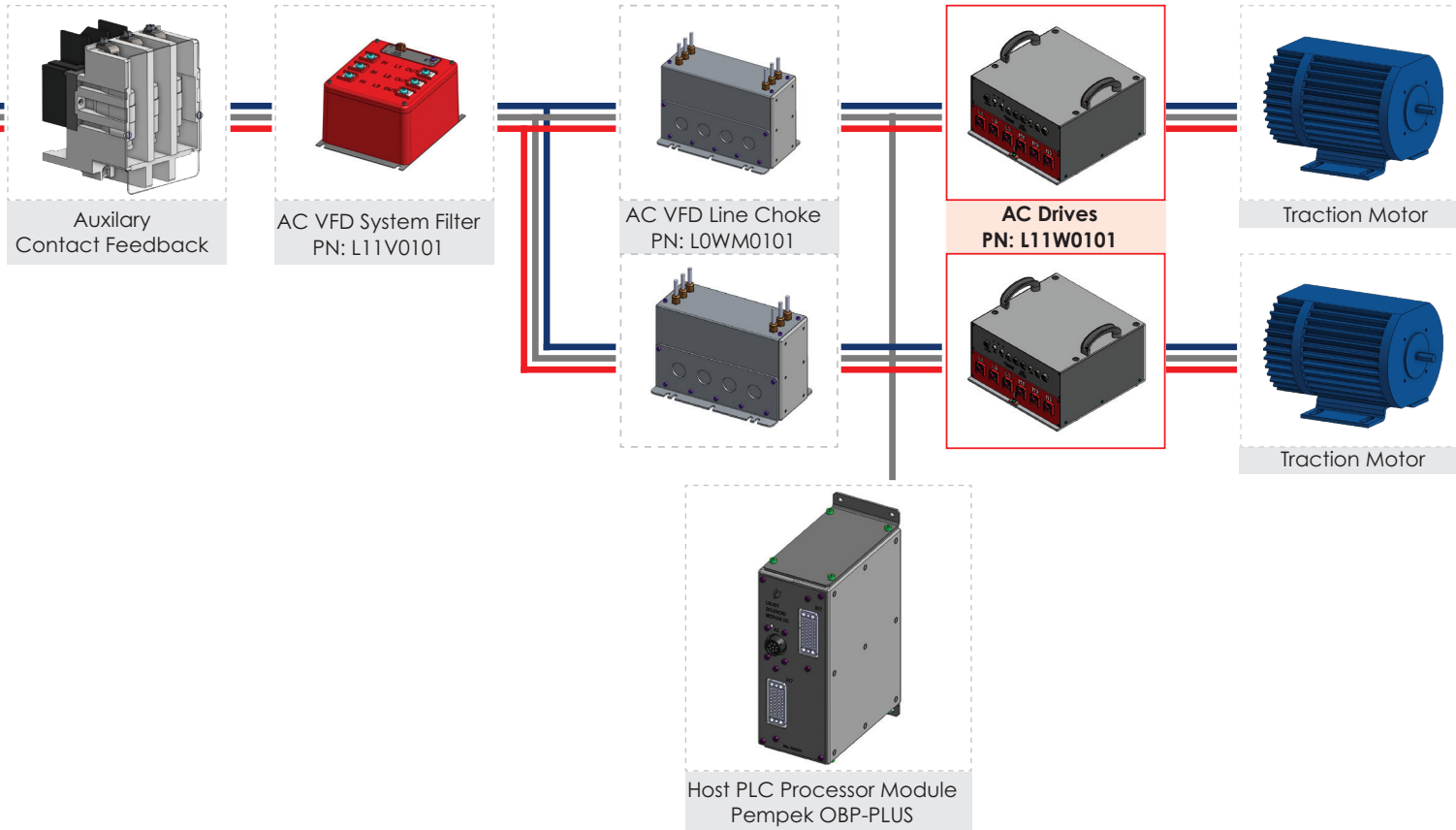
L11W0101 AC Variable Frequency Drive 600V 150kW - 24V Control PS - 110/220V Relay - 5V Encoder

Dimensional Drawings (mm)



L11W0101 AC Variable Frequency Drive 600V 150kW - 24V Control PS - 110/220V Relay - 5V Encoder

Single Drive Typical Application Example



Ordering Information

AC Variable Frequency Drive 600V 150kW - 24V Control PS - 110/220V Relay - 5V Encoder **Part Number: L11W0101**

AC VFD System Filter with Common Mode Choke (1140 V) **Part Number: L11V0101**

AC Drive 1140V Choke 40A Long Side Mounting **Part Number: LOWM0101**