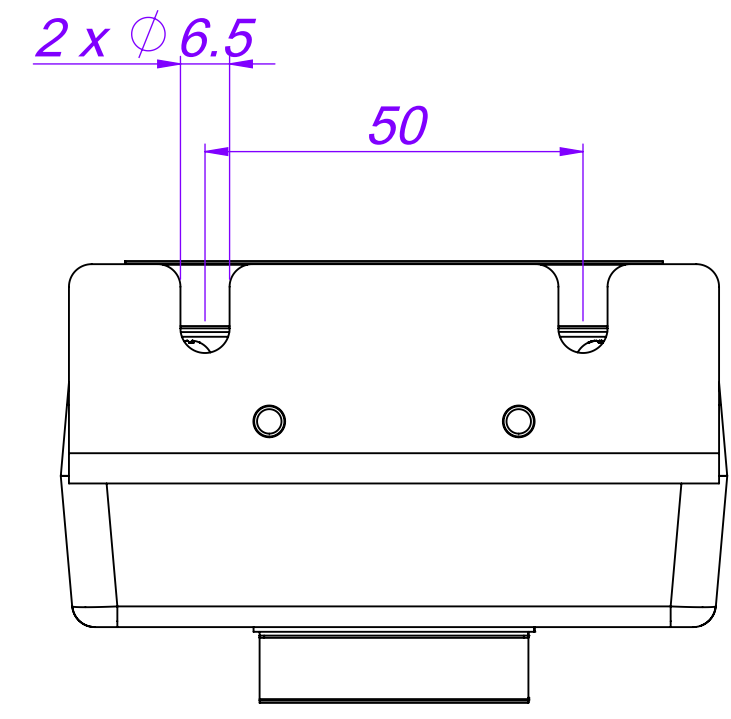
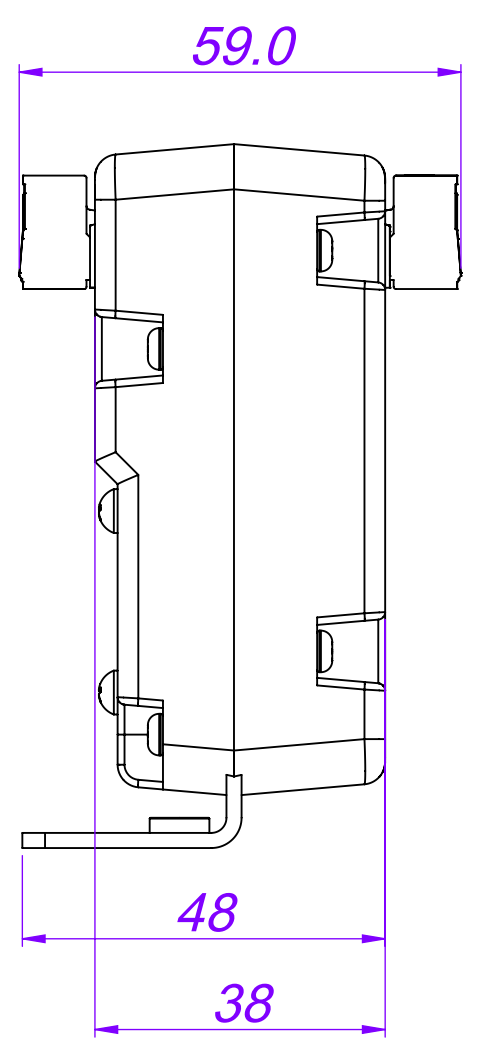
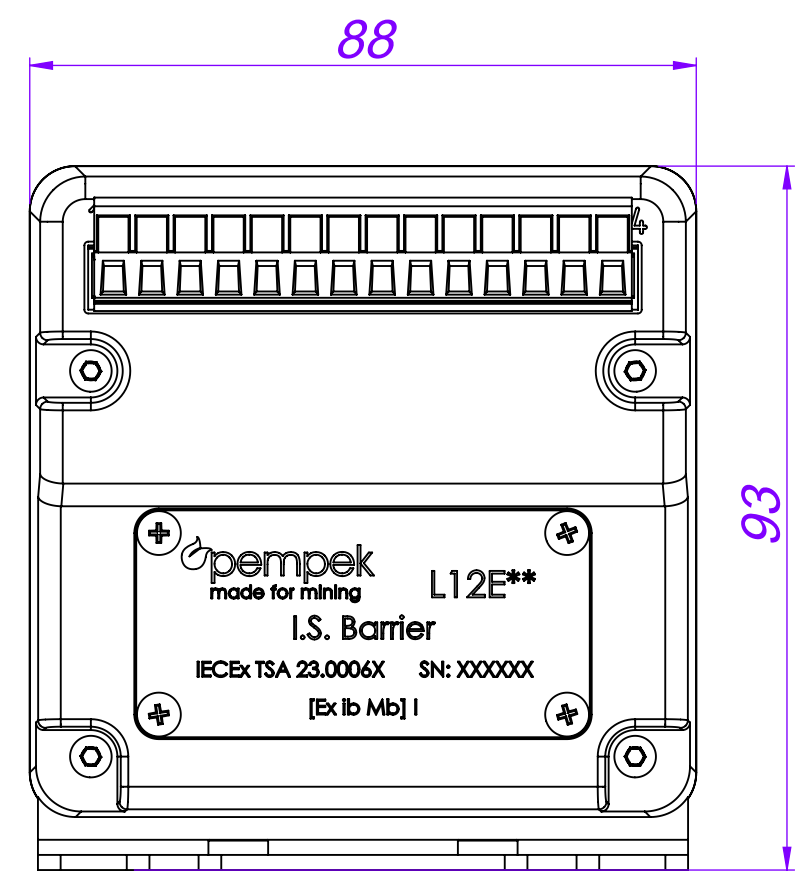


DO NOT CHANGE WITHOUT TESTSAFE, MSHA, MA, ATEX AND SABS APPROVAL



1	000179	Original Release	08/08/2023	Andy Chang		
ISS	EMC	DESCRIPTION	DATE	DRAWN BY		
REVISIONS						
 Pempek Systems Pty. Ltd. 3/13 Hoyle Avenue, Castle Hill NSW 2154, Australia	DRAWN Andy Chang 12/09/2023	Name Andy Chang Date 12/09/2023	MASS  SCALE 1:1  3 rd. ANGLE	MACHINING SYMBOLS TO AS1100.101 STANDARDS		
	CHECKED Nigel Henderson 08/08/2023	Name Nigel Henderson Date 08/08/2023		CASTING & MOULDING TOLERANCES UNLESS OTHERWISE SPECIFIED mm UNITS	MACHINING TOLERANCES UNLESS OTHERWISE SPECIFIED mm UNITS	
	APPROVED Marek Pesl 08/08/2023	Name Marek Pesl Date 08/08/2023		UP TO 75 ± 1.0 OVER 75 UP TO 150 ± 1.5 OVER 150 UP TO 250 ± 2.0 OVER 250 UP TO 500 ± 3.0 OVER 500 ± 4.0 ANGLES ± 1°	UP TO 75 ± 1.0 OVER 75 UP TO 150 ± 1.5 OVER 150 UP TO 250 ± 2.0 OVER 250 UP TO 500 ± 3.0 OVER 500 ± 4.0 ANGLES ± 1°	
	Description: I.S. Barrier / PWS 5V 250mA / uPC General Arrangement			DRAWING N <sup>o</sup> ZL12E0101	REV N <sup>o</sup> 1	SHEET 2 of 2
STANDARD MATERIAL CODE:				A3		