



New & Improved AC Variable Frequency Drives 1140V

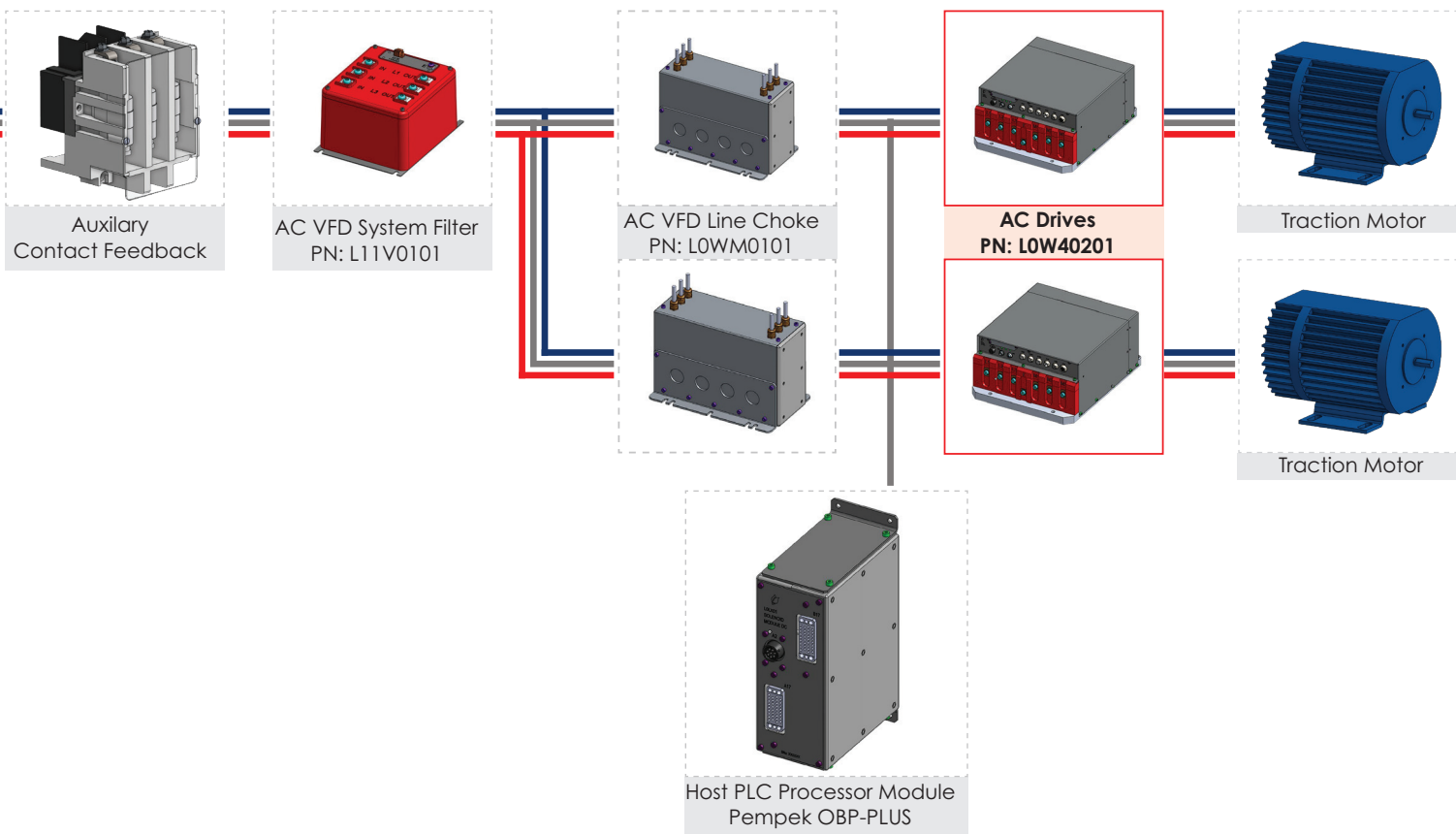
Offering More Power and Energy Efficiency



Pempek's AC Variable Frequency Drive is a product range of frequency converters for high-performance control of 380V ~ 1140 V induction motors used in demanding industrial applications such as mining.

Each single drive module contains a rectifier, DC link and an inverter in one single AC drive control unit.

Single Drive Typical Application Example



Ordering Information

AC Variable Frequency Drive 1140V 100kW - 110V/220V Control PS - 110V/220V Relay - 5V Encoder **Part Number: LOW40201**

AC Variable Frequency Drive 1140V 100kW - 110V/220V Control PS - 110V/220V Relay - 15V Encoder **Part Number: LOW40301**

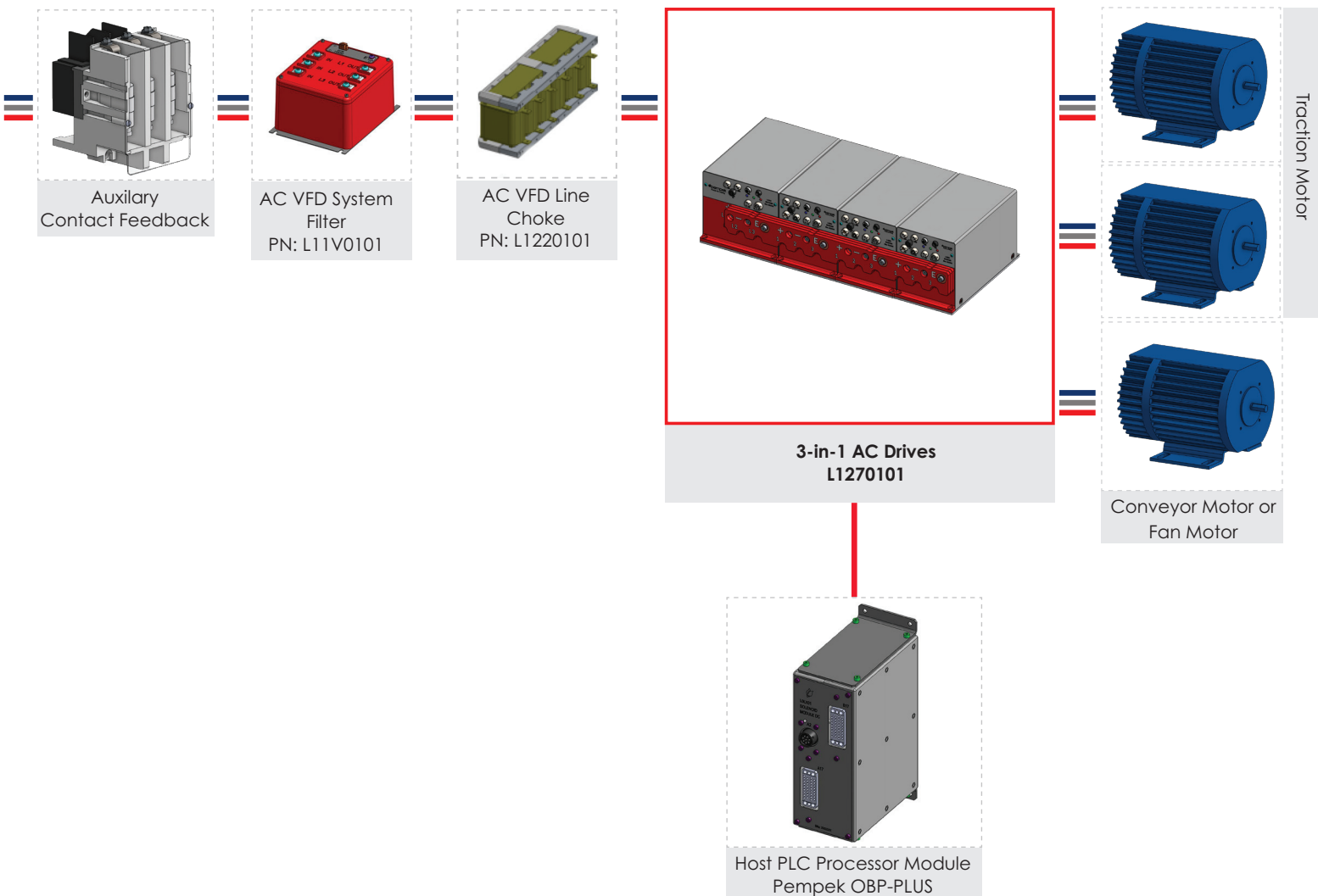
AC Variable Frequency Drive 1140V 150kW - 110V/220V Control PS - 110V/220V Relay - 5V Encoder **Part Number: LOTJ0501**

AC Variable Frequency Drive 1140V 150 kW - 110/220V Control PS - 110V/220V Relay - 15V Encoder **Part Number: LOTJ0301**

AC VFD System Filter with Common Mode Choke (1140 V) **Part Number: L11V0101**

AC Drive 1140V Choke 40A Long Side Mounting **Part Number: LOWM0101**

3-in-1 Drive Typical Application Example



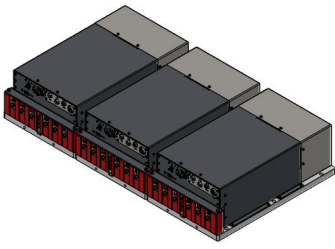
Ordering Information

AC Variable Frequency Drive 3-in-1 1140V 100kW - 24V Control PS - 110/220V Relay - 5V Encoder

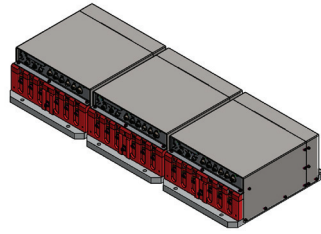
Part Number: L1270101

AC VFD System Filter with Common Mode Choke (1140 V) **Part Number: L11V0101**

AC VFD Line Choke 1140V 330A **Part Number: L1220101**



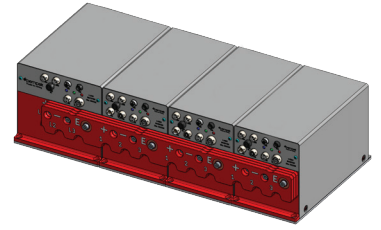
LOTJ0501, LOTJ0301



LOW40201, LOW40301



L1240101



L1270101

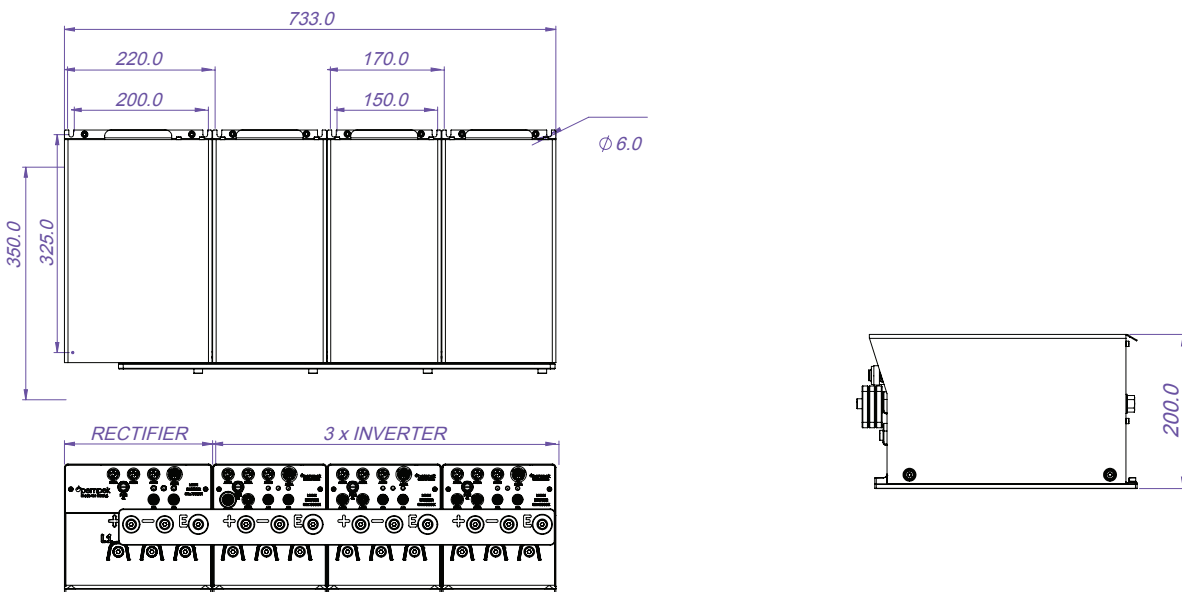
Key Features & Benefits

- Four quadrant operation with full regeneration
- Integrated pre-charging unit
- Integrated safety relay
- Isolated CAN interface with CANOpen protocol
- Two CAN connectors to enable daisy-chaining of bus.
- Method for externally setting the CAN Sub ID for the module
- Motor temperature monitoring
- Sophisticated direct torque control
- Sensorless vector speed control
- Maximum torque at zero speed
- Two-times of overload capability
- Water cooling
- 24VDC /110VAC/220VAC control power

Typical Application

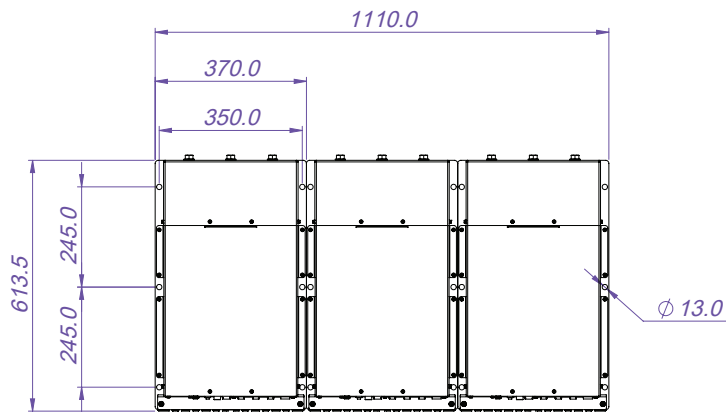
- Continuous Bolter/Miners
- Longwall Shear
- Shuttle Car
- Continuous Haulage
- Mobile Bolters
- Mobile Roof Supports
- Remote Control Scoops
- Remote Control Loaders
- Any industrial AC Motor application within power specification

L1270101 Dimensional Drawings (mm)

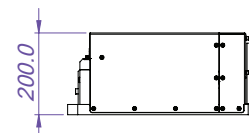
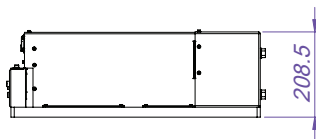
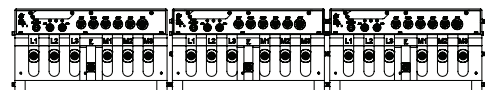
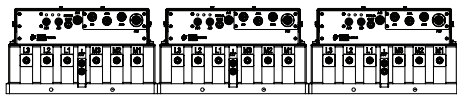
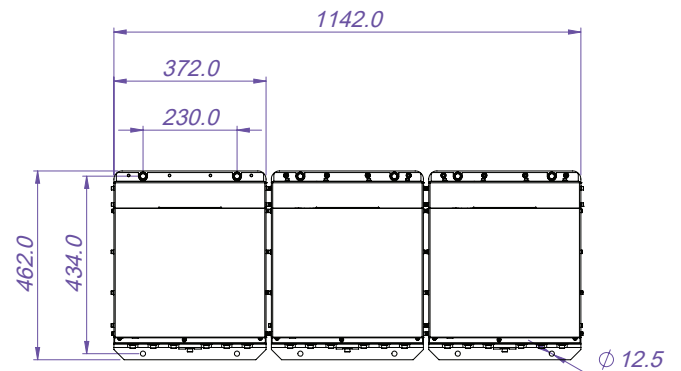


Dimensional Drawings (mm)

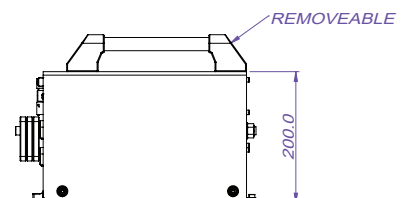
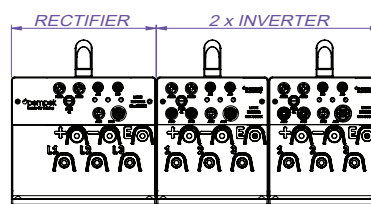
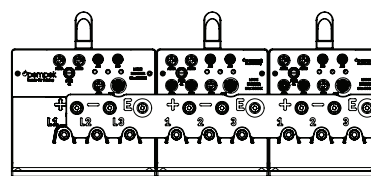
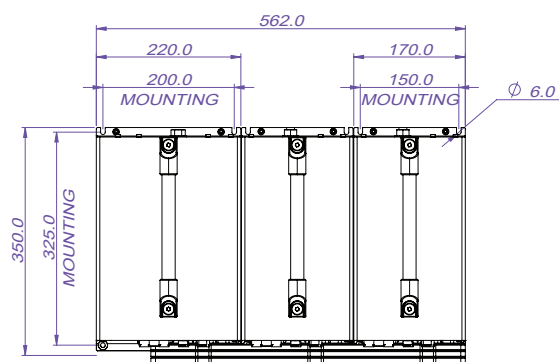
LOTJ0501, LOTJ0301



LOW40201, LOW40301



L1240101





Australia | China | Europe | Brazil | South Africa

www.pempek.world | sales@pempek.world

3/13 Hoyle Ave Castle Hill NSW 2154 | +61 02 8853 4800

© Copyright Pempek 1985 - 2021 www.pempek.world

Pempek Systems Pty Ltd ACN 622 172 721 (Pempek) is the owner of all intellectual property rights subsisting in all of its products, software and hardware, as well as all product information contained in this document (including without limitation in respect of all copyright, designs and know-how). Your use of Pempek's products and intellectual property is strictly subject to: Pempek's Licence Terms and Conditions, which are accessible here: <https://pempek.world/terms-and-conditions/#PempekIntellectualPropertyLicenceAgreement>

Pempek's Product Terms and Conditions are accessible here: <https://pempek.world/terms-and-conditions>

By requesting Pempek to provide its products and services to you, or by continuing to use Pempek's products and services, you confirm your acceptance of the terms and conditions specified above. You agree and acknowledge that these terms form a legally binding agreement between you and Pempek. Pempek reserves the right to amend its terms and conditions at any time.