

L0MD0101 Pempek OBP Bolter Solenoid Module Ex Ib Intrinsically Safe I/O Type A

The Pempek OBP Mining PLC I.S. I/O Solenoid Driver Module provides intrinsically safe (Group I Ex Ib) input and output resources in a single, compact unit.

A unique fibre-optic communications interface means that the module, and dedicated IS power supply, can be conveniently segregated into its, isolated zone.

The fibre-optic link between the module and an Pempek OBP processor module provides real-time control and monitoring of all I/O points.

This solution is ideal for mobile mining equipment where limited installation space must be managed.

Uniquely keyed typed connectors to prevent incorrect machine installation.

The module is Dual Pempek OBP Type which complies with AS/NZS 4240 standard.

As per standard, every output includes two switches A&B in series with monitoring feedbacks from both.

Extra safety is achieved by using two potted boards where each includes main and watchdog processors monitoring the correctness of executed main software code.

Module Primary board – A18_B0L32

Module Secondary board – A12_A15_B0MDJ



Mounting options can vary depending on customer requirements.

Specifications

- **Module Type:** Intrinsically Safe Input / Output with Display
- **Supply:** 12VDC (+/- 10%) / 20 Watts (Max) from Approved I.S. Power Supply
- **Data Communications:** CAN interface over Pempek OBP Fibre
- **Operating Temperature:** -20°C to +85°C all industrial components
- **Inputs 1:** 8 x I.S. Digital Inputs (12VDC)
- **Inputs 2:** 4 x I.S. Analog Inputs (4-20 mA)
- **Inputs 3:** 4 x I.S. Frequency Counter Inputs (Namur Type, 5 kHz Max)
- **Inputs 4:** 2 x I.S. Resolver Sensor Inputs (Industry Standard Siemens or Litton)
- **Inputs 5:** 28 x Proximity Switch Inputs (Namur Type)
- **Outputs:** 24 x I.S. 12VDC On/Off Outputs (Max 1A for each Output)
- **Connector 1:** CAN Interface over Pempek OBP Fibre
- **Connector 2:** Pempek OBP A18 (12VDC I.S. Supply and Solenoid Outputs)
- **Connector 3:** Pempek OBP A12 (Digital Inputs, Analog Inputs, Frequency Counter Inputs, Resolver Sensors and Proximity Switch Inputs)
- **Connector 4:** Pempek OBP A15 (12VDC I.S. Supply and Proximity Switch Inputs)

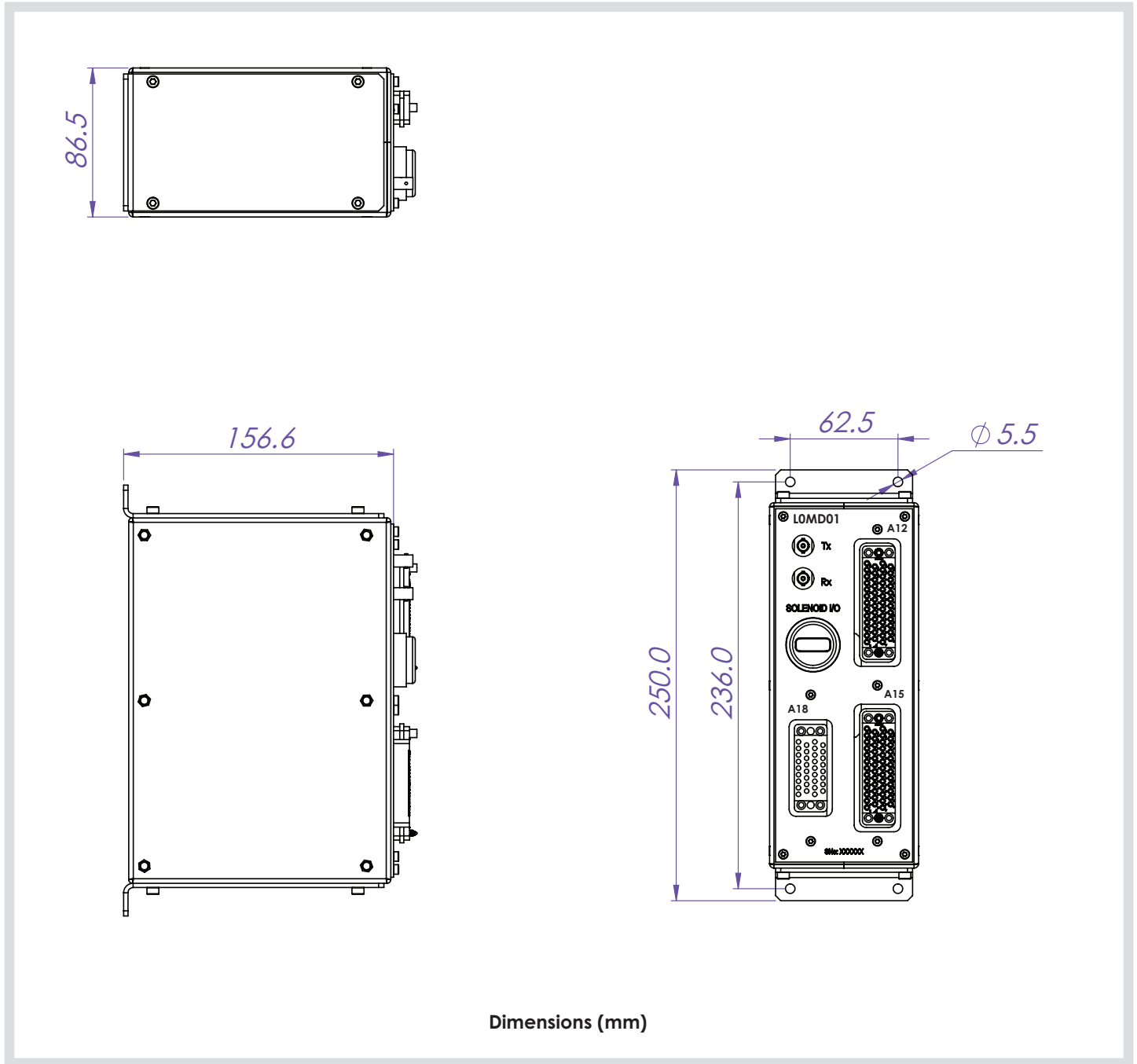
Heavy Duty Enclosure

- Electroless Nickel Plated
- Rugged Construction

Mass

- 6.5kg (14.3lb)

L0MD0101 Pempek OBP Bolter Solenoid Module Ex Ib Intrinsically Safe I/O Type A



Dimensions (mm)

L0MD0101 Pempek OBP Bolter Solenoid Module Ex Ib Intrinsically Safe I/O Type A

Display Diagnostics

The integral 4 characters LED Matrix display provides the end user with some basic diagnostics as to the operation of the module. These messages are as follows:

Message Explanation Result

ON

Omni Flashing Indicates nominal operation and signifies that CAN communications have been established with a host. Normal Operation Permitted

CAN

This indicates CAN Communication has not been established or has been lost. Outputs Disabled

FEBK

This indicates that internal is NOT congruent with requested outputs. This typically occurs when output has been requested but has failed to operate indicating a supply failure or wiring error. Outputs Disabled

SHRT

This indicates that a short-circuit condition has been detected as a requested output. This short-circuit could be external (most probable) or internal Outputs Disabled



L0MD0101 Pempek OBP Bolter Solenoid Module Ex Ib Intrinsically Safe I/O Type A

CONNECTOR A18

Number	Unit / PCB VMCT-34F Female Board Mount PIN	L0MD0101 Name
1	A	SOLENOID-5
2	B	SOLENOID-11
3	C	SOLENOID-2
4	D	SOLENOID-8
5	E	SOLENOID-4
6	F	SOLENOID-10
7	H	SOLENOID-1
8	J	SOLENOID-7
9	K	SOLENOID-3
10	L	SOLENOID-9
11	M	MODULE SELECT-1
12	N	SOLENOID-6
13	P	SOLENOID-12
14	R	SOLENOID-13
15	S	MODULE SELECT-2
16	T	SOLENOID-14
17	U	SOLENOID-15
18	V	SOLENOID-16
19	W	MODULE SELECT-3
20	X	SOLENOID-17
21	Y	SOLENOID-18
22	Z	SOLENOID-19
23	AA	MODULE SELECT-4
24	BB	SOLENOID-20
25	CC	
26	DD	SOLENOID-21
27	EE	
28	FF	SOLENOID-22
29	HH	
30	JJ	SOLENOID-23
31	KK	
32	LL	SOLENOID-24
33	MM	0VIS Supply
34	NN	12VIS Supply



Image depict coding pins required

L0MD0101 Pempek OBP Bolter Solenoid Module Ex Ib Intrinsically Safe I/O Type A

CONNECTOR A12

Number	Unit / PCB GMST50F Female Board Mount PIN	L0MD0101 Name
1	A	INPUT-COUNTER-1
2	B	INPUT-COUNTER-2
3	C	INPUT-COUNTER-3
4	D	INPUT-COUNTER-4
5	E	SUPPLY PROXIMITY SWITCH-25
6	F	RESOLVER-1 (REF-2)
7	H	PROXIMITY SWITCH-25
8	J	SUPPLY PROXIMITY SWITCH-26
9	K	PROXIMITY SWITCH-26
10	L	RESOLVER-1 (REF-1)
11	M	SUPPLY PROXIMITY SWITCH-27
12	N	PROXIMITY SWITCH-27
13	P	SUPPLY PROXIMITY SWITCH-28
14	R	RESOLVER-1 (GND-COS)
15	S	PROXIMITY SWITCH-28
16	T	
17	U	
18	V	RESOLVER-1 (COS)
19	W	
20	X	
21	Y	ANALOG-4
22	Z	RESOLVER-1 (SIN)
23	a	ANALOG-3
24	b	ANALOG-2
25	c	ANALOG-1
26	d	RESOLVER-1 (GND-SIN)
27	e	MODULE SELECT-4
28	f	MODULE SELECT-3
29	h	MODULE SELECT-2
30	j	RESOLVER-2(REF-2)
31	k	MODULE SELECT-1
32	m	INP-8
33	n	INP-7
34	p	RESOLVER-2(REF-1)
35	r	
36	s	INP-6
37	t	INP-5
38	u	RESOLVER-2(GND-COS)
39	v	
40	w	INP-4
41	x	INP-3
42	y	RESOLVER-2(COS)
43	z	
44	AA	INP-2
45	BB	INP-1
46	CC	RESOLVER-2(SIN)
47	DD	
48	EE	RESOLVER-2(GND-SIN)
49	FF	OVIS
50	HH	

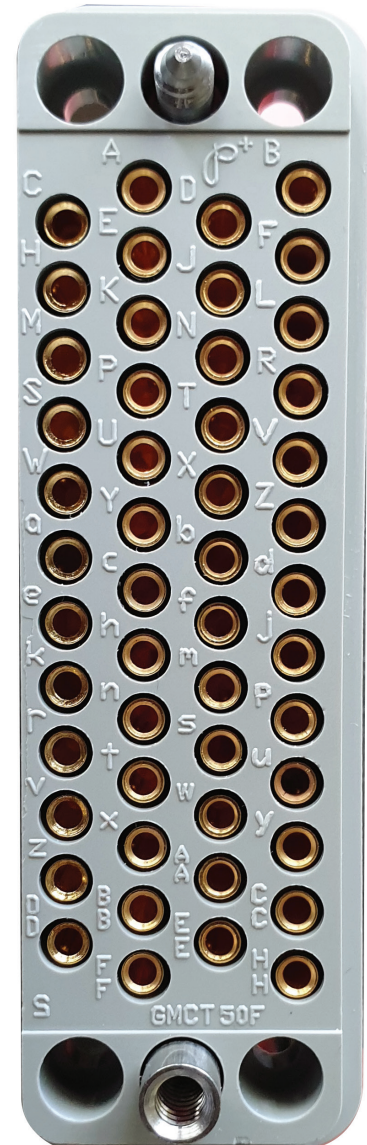


Image depict coding pins required

L0MD0101 Pempek OBP Bolter Solenoid Module Ex Ib Intrinsically Safe I/O Type A

CONNECTOR A15

Number	Unit / PCB GMST50F Female Board Mount PIN	L0MD0101 Name
1	A	SUPPLY PROXIMITY SWITCH-1
2	B	PROXIMITY SWITCH-1
3	C	SUPPLY PROXIMITY SWITCH-2
4	D	PROXIMITY SWITCH-2
5	E	SUPPLY PROXIMITY SWITCH-3
6	F	PROXIMITY SWITCH-3
7	H	SUPPLY PROXIMITY SWITCH-17
8	J	PROXIMITY SWITCH-17
9	K	SUPPLY PROXIMITY SWITCH-4
10	L	PROXIMITY SWITCH-4
11	M	SUPPLY PROXIMITY SWITCH-18
12	N	PROXIMITY SWITCH-18
13	P	SUPPLY PROXIMITY SWITCH-5
14	R	PROXIMITY SWITCH-5
15	S	SUPPLY PROXIMITY SWITCH-19
16	T	PROXIMITY SWITCH-19
17	U	SUPPLY PROXIMITY SWITCH-6
18	V	PROXIMITY SWITCH-6
19	W	SUPPLY PROXIMITY SWITCH-7
20	X	PROXIMITY SWITCH-7
21	Y	SUPPLY PROXIMITY SWITCH-8
22	Z	PROXIMITY SWITCH-8
23	a	SUPPLY PROXIMITY SWITCH-20
24	b	PROXIMITY SWITCH-20
25	c	SUPPLY PROXIMITY SWITCH-9
26	d	PROXIMITY SWITCH-9
27	e	SUPPLY PROXIMITY SWITCH-21
28	f	PROXIMITY SWITCH-21
29	h	SUPPLY PROXIMITY SWITCH-10
30	j	PROXIMITY SWITCH-10
31	k	SUPPLY PROXIMITY SWITCH-22
32	m	PROXIMITY SWITCH-22
33	n	SUPPLY PROXIMITY SWITCH-11
34	p	PROXIMITY SWITCH-11
35	r	SUPPLY PROXIMITY SWITCH-12
36	s	PROXIMITY SWITCH-12
37	†	SUPPLY PROXIMITY SWITCH-13
38	u	PROXIMITY SWITCH-13
39	v	SUPPLY PROXIMITY SWITCH-23
40	w	PROXIMITY SWITCH-23
41	x	SUPPLY PROXIMITY SWITCH-14
42	y	PROXIMITY SWITCH-14
43	z	SUPPLY PROXIMITY SWITCH-24
44	AA	PROXIMITY SWITCH-24
45	BB	SUPPLY PROXIMITY SWITCH-15
46	CC	PROXIMITY SWITCH-15
47	DD	SUPPLY PROXIMITY SWITCH-16
48	EE	PROXIMITY SWITCH-16
49	FF	OVIS Supply
50	HH	12VIS Supply

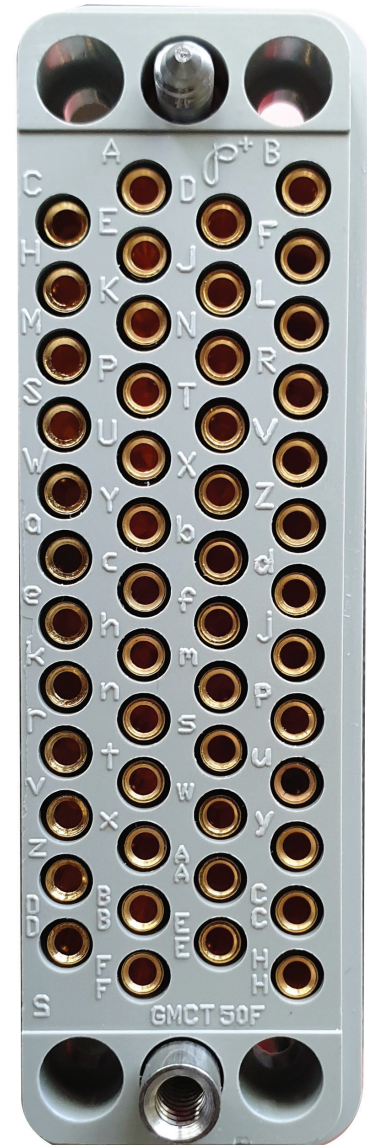


Image depict coding pins required

L0MD0101 Pempek OBP Bolter Solenoid Module Ex Ib Intrinsically Safe I/O Type A

Fibre Optic Patch Cables

Part Number	Description
H0LW0401	Fibre Optic Patch ST-ST Multi-mode
H0M10101	Connector Assembly Fibre 8 way 7m
H0M10201	Connector Assembly Fibre 8 way 10m
H0M10301	Connector Assembly Fibre 8 way 1m
H0M10401	Connector Assembly Fibre 8 way 4m
H0M10801	Connector Assembly Fibre 8 way 8m
H0M10901	Connector Assembly Fibre 8 way 11m
H0M11001	Fibre Optic Patch Assembly 8 way 3m
H0M11201	Connector Assembly Fibre 8 way 12.5m



Image above Fibre Optic Patch ST-ST Multi-Mode

Specifications

- **Product Type:** Pre-manufactured cable assembly
- **Construction:** Fibre Optic with ST terminations
- **Connector 1 :** Fibre Optic Tx
- **Connector 2:** Fibre-optic Rx
- **Pin Type:** ST Fibre Plugs
- **Conductor Type:** Multi-mode Fibre-optic
- **Insulation Rating:** N/A
- **Temperature Rating:** -40°C to 85°C

Connector Assembly

Part Number	Description
H0MD0101	Connector Assembly A12
H0MD0201	Connector Assembly A15
H0MD0301	Connector Assembly A18



Specifications

- **Product Type:** Pre-manufactured cable assembly
- **Construction:** Connector with flying leads (pigtail)
- **Pin Type:** Male (Gold-plated)
- **Conductor Type:** PVDF Tinned Stranded Wire
- **Insulation Rating:** 600 volts
- **Temperature Rating:** -65 to 105 C
- **Recommended Tools:** PVDF / Teflon Insulation Stripping Tool

Cable options can vary depending on customer requirements.