

L0P90301 Pempek OBP Power Supply Module 110VAC 12VDC 8A 100W

The L0P9 Industrial Power Supply Module is designed to provide ripple free 24VDC to Pempek OBP Modules. It is the common supply for Solenoid Drivers. It is also available in 12VDC version.

Embedded 24VDC Power Supply Module

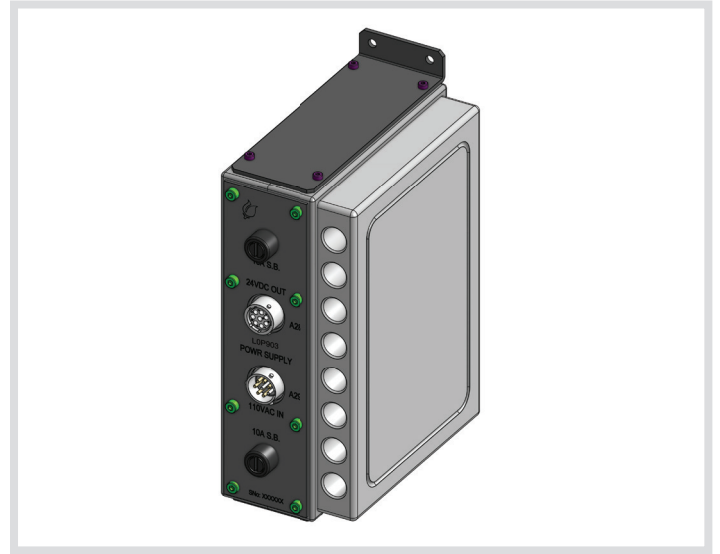
110VAC (10A) Fused Input
24VDC (10A) Fused Output

Operates -10°C to +85°C

All industrial components

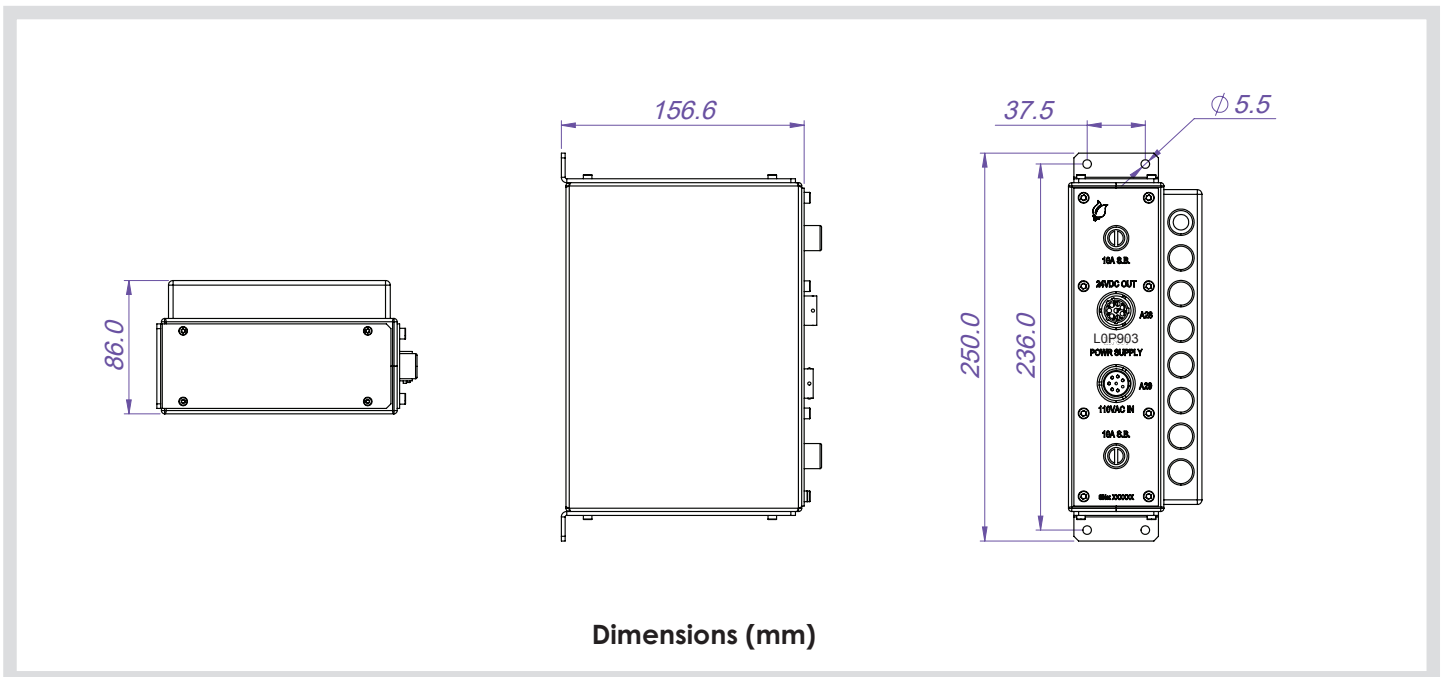
Heavy Duty Enclosure

Electros Nickel Plated
Rugged Construction



Typical Applications

- Continuous Bolter/Miners
- Continuous Haulage
- Long Wall Shearers
- Mobile Bolters
- Mobile Roof Supports
- Remote Control Scoops
- Remote Control Loaders
- Any industrial power supply application



L0P90301 Pempek OBP Power Supply Module 110VAC 12VDC 8A 100W

CONNECTOR A28

Connector A28 8 Pin Female Burndy		
No	PIN	Name
1	A	24 VDC
2	B	24 VDC
3	C	0 VDC
4	D	0 VDC
5	E	
6	F	
7	G	

CONNECTOR A29

Connector A29 8 Pin Male Burndy		
No	PIN	Name
1	A	110 VAC Active
2	B	110 VAC Active
3	C	110 VAC Neutral
4	D	110 VAC Neutral
5	E	
6	F	
7	G	
8	H	

