

L0RA0104 Pempek OBP 10.4" Colour Display Module IEC Ex d Flameproof ATEX

The Type L0RA0101 Display Module is an industrial IEC-approved flameproof display module designed for remote viewing purposes. Its unique construction allows it to be used in the most rugged of environments and is designed to permit installation onto any machine with minimal integration requirements.

The WinCE 5.0 operating system platform permits a flexible development environment allowing end-users to develop their graphical solutions if required using freely available Microsoft Embedded tools. (The WinCE distribution license is included in the platform.) Alternatively, dedicated Software Engineers at Pempek Systems can develop customised multi-page graphic solutions.

Flame Proof Enclosure

- Precision Machined Mild Steel
- IEC Ex d I Approved

Flame Proof Connector Assembly

- Unique flameproof connector
- IEC Ex d I Approved

Industrial Display Module

- 10.4" True Colour LCD
- Rugged XScale CPU Core with GPU
- Highly Configurable WinCE Platform
- Highly viewable at distance

Industrial Communication Interfaces

- Supports Ethernet 10/100 via TCP/IP
- Supports RS-422 via Proprietary Protocol
- Supports CAN 2.0B as Option

Heavy Duty Enclosure

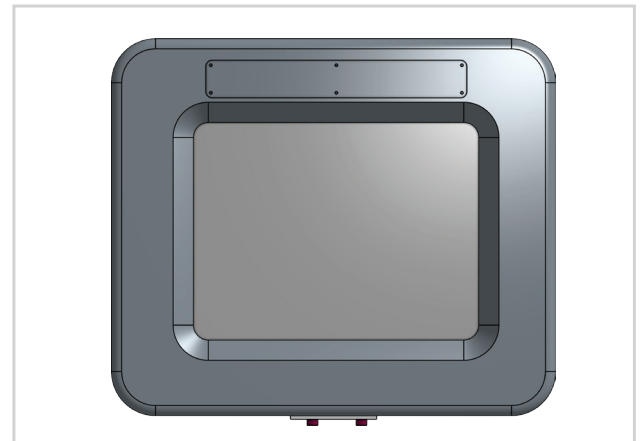
- Electroless Nickel Plated
- Ingress protection to IP65 ('O' ringed)
- Ultra Rugged Construction

Material

- Enclosure is Electroless nickel plated mild steel.
- Lens is Lexan MR10.

Fasteners

- M10 x 30mm x 16 Mass
- 60kg (132lb)



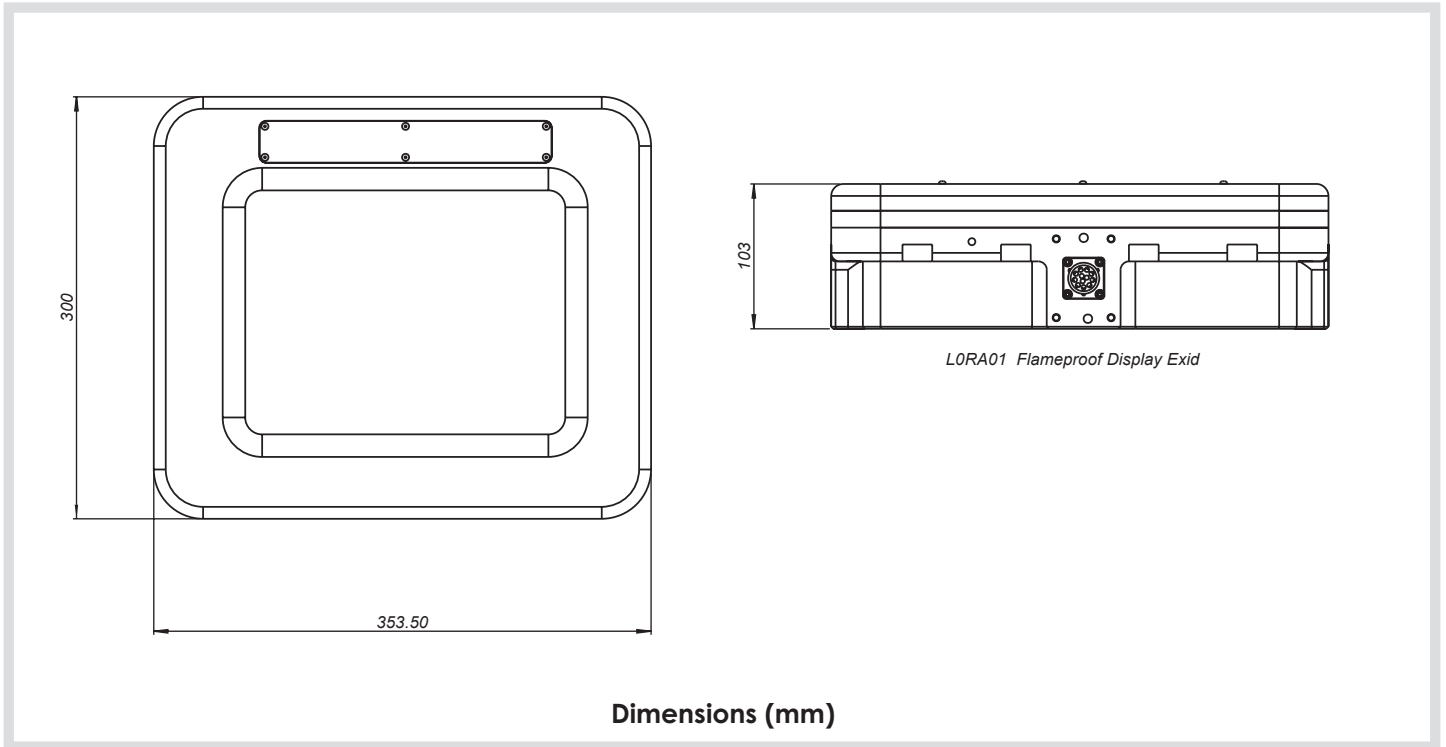
Typical Application

- **Continuous Miners / Bolters**
- **Continuous Haulage**
- **Long Wall Shearers**
- **Mobile Bolters**
- **Mobile Roof Supports**
- **Remote Control Scoops**
- **Remote Control Loaders**
- **Shuttle Cars**
- **Any Ex d I display application**

Connector Assembly

Part Number	Description
H0RA0101	IEC Flameproof Connector Assembly

L0RA0104 Pempek OBP 10.4" Colour Display Module IEC Ex d Flameproof ATEX



Wiring Assignments

PIN	Flameproof Connector Assembly Burndy 12 Way Female Description	Signal
A	Supply Input	240VAC Active
B	-	-
C	Supply Input	240VAC Neutral
D	RS-422 RXD -	Communications
E	RS-422 RXD +	Communications
F	RS-422 RXD -	Communications
G	RS-422 RXD +	Communications
H	Ethernet RX +	Communications
J	Ethernet RX -	Communications
K	Ethernet TX +	Communications
L	Ethernet TX -	Communications
M	-	-

L0RA0104 Pempek OBP 10.4" Colour Display Module IEC Ex d Flameproof ATEX

Electrical Characteristics

Supply

Voltage	240VAC
Power Consumption	15W <small>typical</small>
Maximum Dissipation	17W

Communications

Interface	Ethernet 10/100
Throughput	Up to 100Mbps per second
Protocol	TCP/IP
Medium	Hybrid Twisted Pair
Interface	RS-422 Isolated
Throughput	57.6KBits
Protocol	Packet Oriented
Medium	Hybrid Twisted Pair

Visualisation

LCD	NEC 10.4" SVGA True Colour
------------	----------------------------

Environmental

Ingress Protection	IP65
Operating Temperature	Minus 10°C to +75°C ¹
Humidity	TBA
MTBF	12,000 hours

Certification

Australia	IEC Ex TSA 06.0045X
Europe	-
USA	-